

FUNCTION OF SWITCH

SWITCH	FOR CCM UNIT ADDRESS	
S2 + S1		
ADDRESS	0~15	16~31
Factory Setting	✓	
S2 + S1		
ADDRESS	32~47	48~63
Factory Setting	✓	

SW3	SWITCH	FOR AUTO-RESTART SETTING	
STATE			
MODE	REMEMBER	NO_REMEMBER	
Factory Setting	✓		

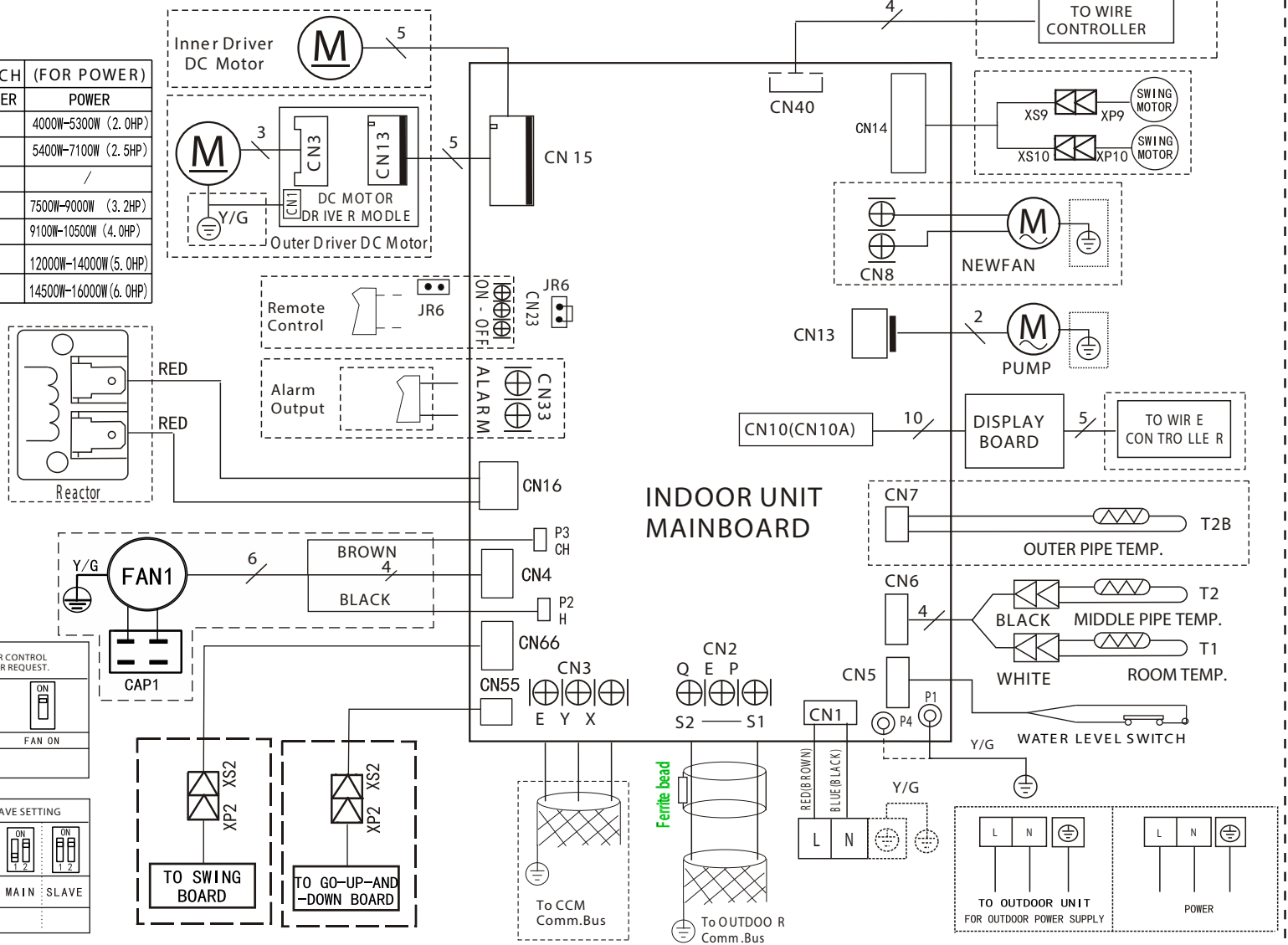
SW6	SWITCH	FOR TEMP. COMPENSATION			
STATE					
VALUE	6	4	2	E function	
Factory Setting	✓				

Anti-cold air	
SW1	FAN MOTOR STOP-TEM
	24 Factory setting ✓
	15
	8
	.....

SW2	SWITCH	FOR FAN MOTOR CONTROL THEN NO POWER REQUEST.	
STATE			
MODE	FAN OFF	FAN ON	
Factory Setting	✓		

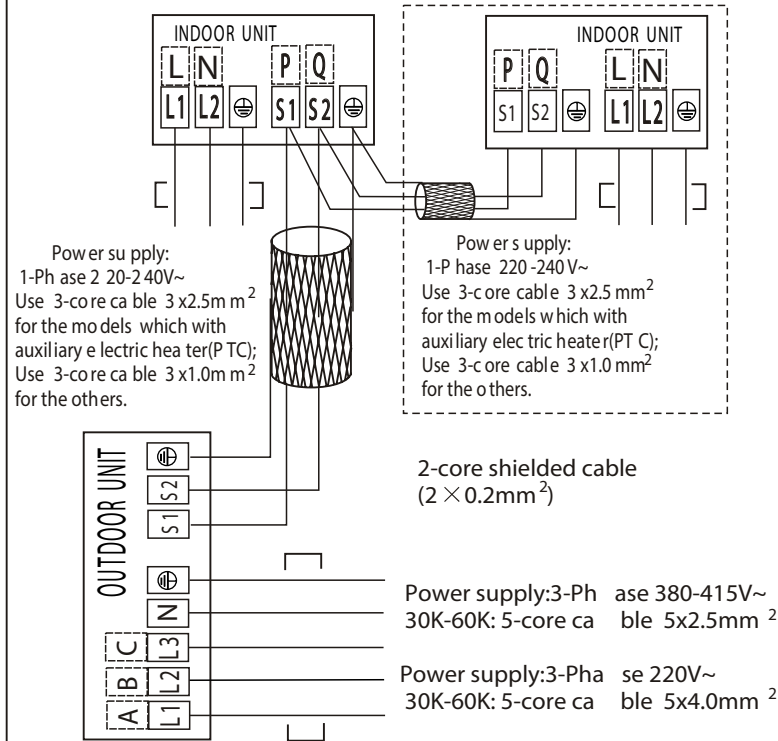
SW5	SWITCH	FOR MAIN-SLAVE SETTING			
STATE					
MODE	MAIN NO SLAVE	MAIN	MAIN	SLAVE	
Factory Setting	✓				

ENC1	SWITCH	(FOR POWER)	
	NUMBER	POWER	
	4	4000W-5300W (2.0HP)	
	5	5400W-7100W (2.5HP)	
	6	/	
	7	7500W-9000W (3.2HP)	
	8	9100W-10500W (4.0HP)	
	9	12000W-14000W (5.0HP)	
	A	14500W-16000W (6.0HP)	

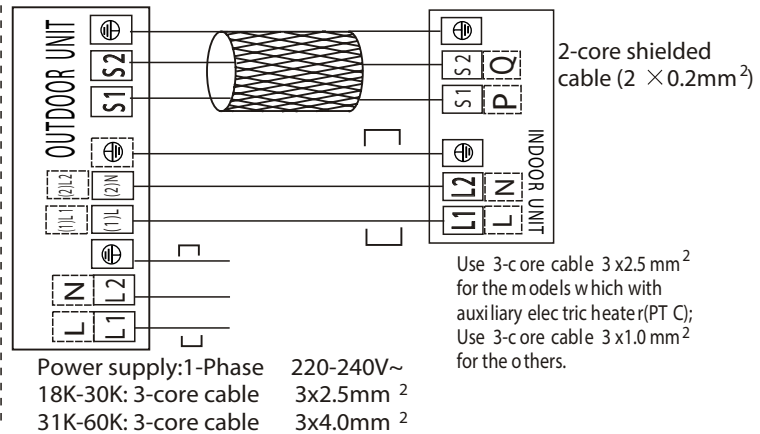
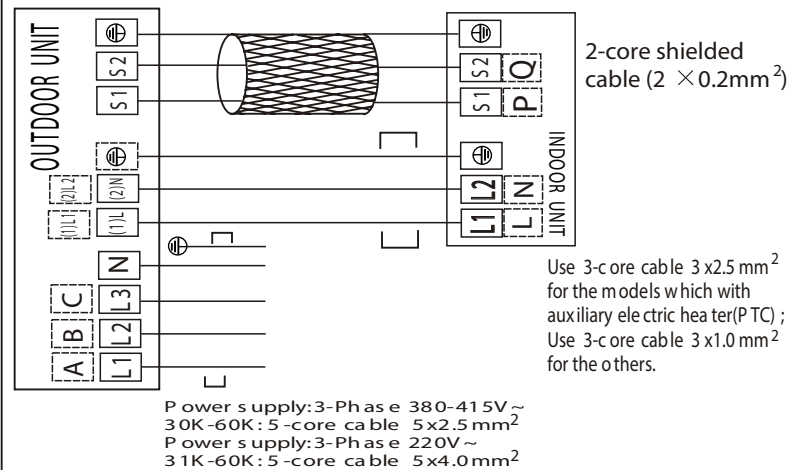
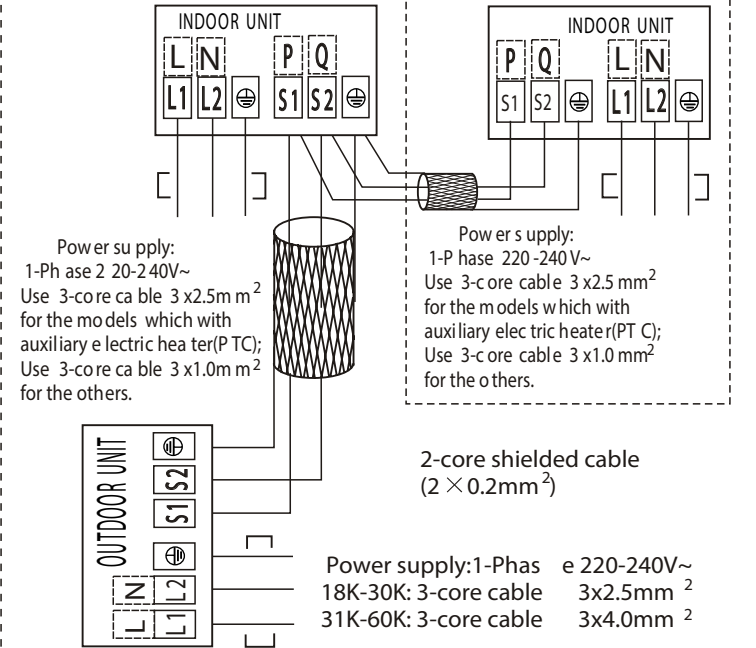


INDOOR UNIT MAINBOARD

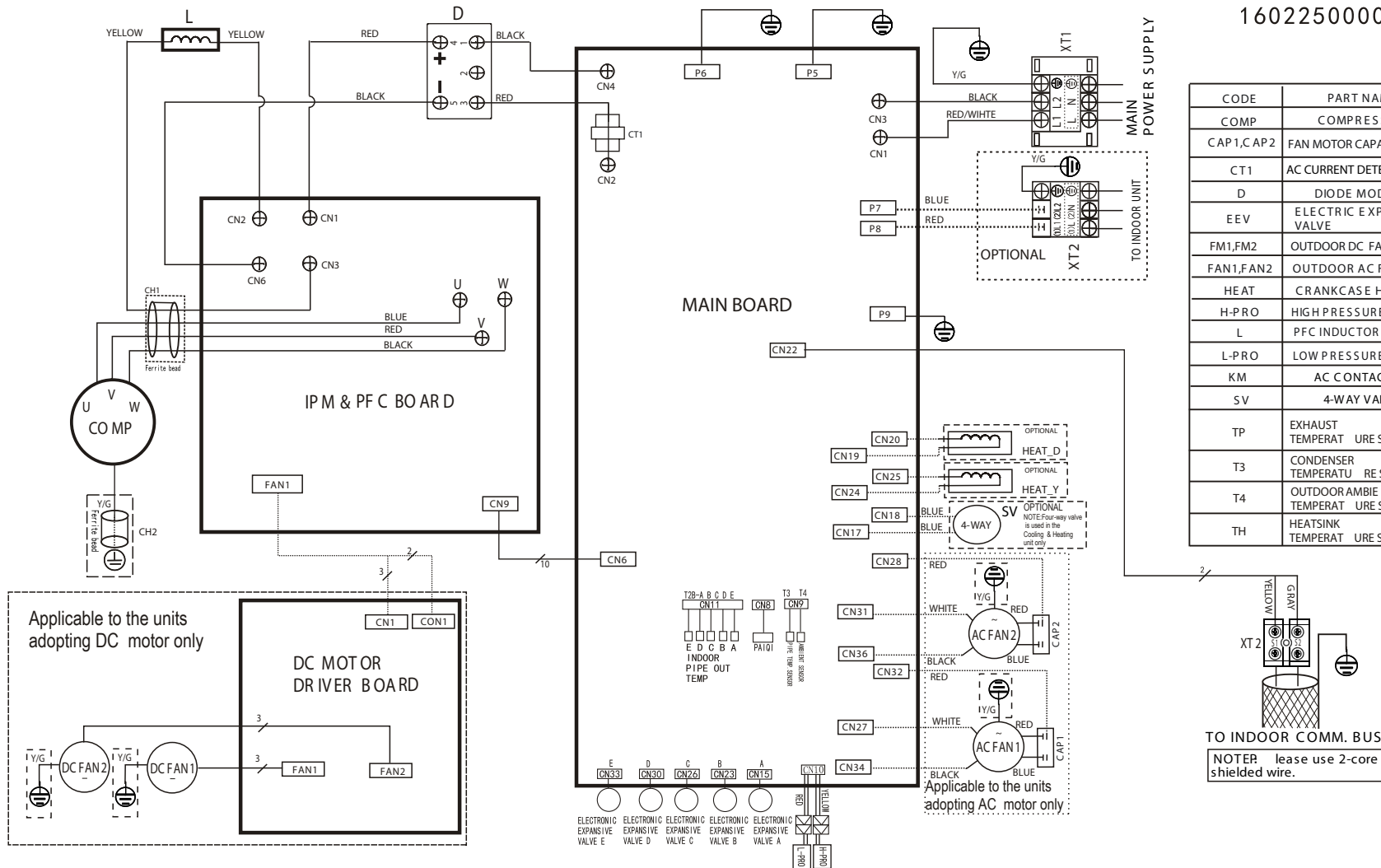
# Air Condition Link-Circuit



202044790380



WIRING DIAGRAM (OUTDOOR UNIT)  
1602250003306



CODE	PART NAME
COMP	COMPRESSOR
CAP1,CAP2	FAN MOTOR CAPACITOR
CT1	AC CURRENT DETECTOR
D	DIODE MODULE
EEV	ELECTRIC EXPANSIVE VALVE
FM1,FM2	OUTDOOR DC FAN
FAN1,FAN2	OUTDOOR AC FAN
HEAT	CRANKCASE HEATING
H-PRO	HIGH PRESSURE SWITCH
L	PFC INDUCTOR
L-PRO	LOW PRESSURE SWITCH
KM	AC CONTACTOR
SV	4-WAY VALVE
TP	EXHAUST TEMPERATURE SENSOR
T3	CONDENSER TEMPERATURE SENSOR
T4	OUTDOOR AMBIENT TEMPERATURE SENSOR
TH	HEATSINK TEMPERATURE SENSOR

TO INDOOR COMM. BUS  
NOTER: please use 2-core shielded wire.