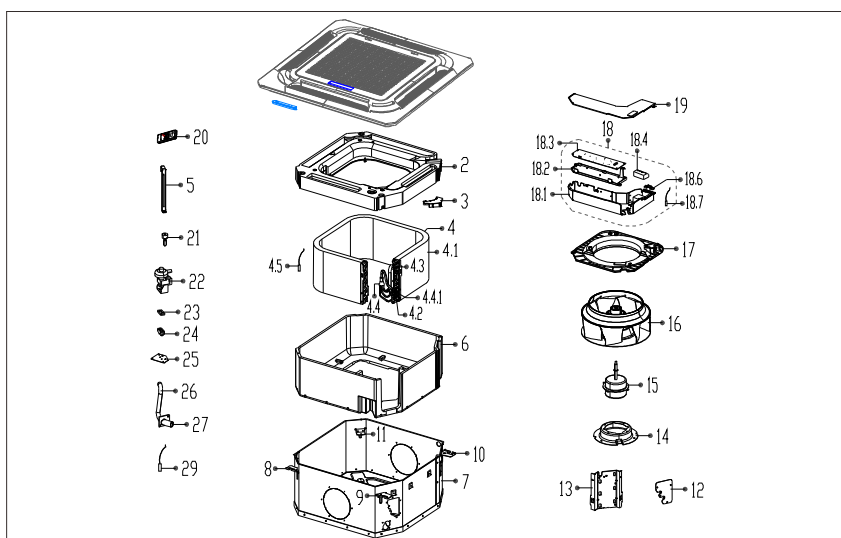


Almison Comercial - Despiece

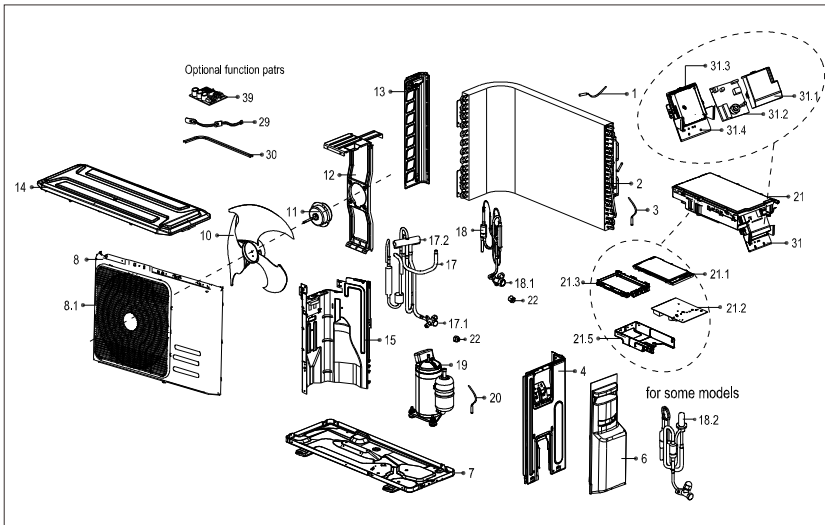
Modelo Unidad: ALMT18CV1A17U
Tipo Unidad: Unidad Interior
Modelo Conjunto: ALMT18
Alimentación: null,220_240V_1Ph,FREQUENCY_50HZ



No.	Nombre del Recambio (En)	Código
2	Water receiver assembly	1282250000017
3	Line pressing box	1212250000022
4	Evaporator assembly	15822500000499
4.1	Evaporator	15822500000400
4.2	Copper nut	15500406000012
4.3	Outlet Pipes of Evaporator	15122500000226
4.4	Input pipes of Evaporator assemblyJoint board of Evaporator	15122500000277
4.4.1	Copper nut	15500406000016
4.5	Temperature Sensor	11201007000070
5	Evaporator Fixing hanger	12222500000093
6	Chassis Foam Subassembly	12822500000005
7	Chassis Assembly	12222500000224
8	Hook II	12222500000191
9	Hook I	12222500000192
10	Hook IV	12222500000190
11	Hook III	12222500000193
12	Sealed board ass'y	12122500000330
13	Joint board of Evaporator	12222500000197
14	Motor Installing Foundation	12222500000199
15	Brushless DC Motor	11002015000069
16	Centrifugal Fan	12100103000089
17	Air Guide Coil	12122500000425
18	Electrical Control Box Subassembly	17222500000192
18.1	Welding Parts of Electrical Control Box	12222500000165
18.2	Wiring baseplate	12122500000029
18.3	Indoor Main Control Board Subassembly	17122500000297
18.4	Wire holder	17400401000097
18.6	Line pressing card	12200203000075
18.7	Room Temperature Sensor	11201007000283
19	Electrical Control Box Cover Subassembly	12222500000209
20	Remote controller	17317000000431
21	Water Level Switch	17400511000015
22	Induction pump	11001010000063
23	Rubber Gasket of Water Drain Pump	12622500000005
24	Pump Rubber washer	12622500000003
25	Installing Plate of Water Drain Pump (RoHS)	12222500000352
26	Drainage pipe	12622500000012
27	Drain pipe	12100510000019
29	Temperature Sensor	11201007000266

Almison Comercial - Despiece

Modelo Unidad: **ALMC18V1A17UE**
Tipo Unidad: Unidad Exterior
Modelo Conjunto: ALMC18
Alimentación: 220_240V_1Ph,FREQUENCY_50HZ



No.	Nombre del Recambio (En)	Código
1	Room Temperature Sensor	11201007000039
2	Condenser Assembly	15822000003682
3	Temperature Sensor	11201007000136
4	Right Side Plate	12222000006565
6	Water collector	12122000014223
7	Chassis Assembly	12222000000711
8	Front panel	12222000004382
8.1	Air outlet grille	12122000010660
10	Axial fan	12100105000051
11	Brushless DC Motor	11002015000041
12	Fan Motor Holder Subassembly	12222200001462
13	Components of left supporting panel	12222000001379
14	Top cover assembly	12222000002451
15	Separation plate	12222000002226
17	Gas Valve Assembly	15422000007012
17.1	Low Pressure Valve	15500204000058
17.2	4-way Valve	15500216000026
18	High-Voltage valve Assembly	15422000004932
18.1	High-Voltage valve	15500208000028
18.2	Electric expansive valve assembly	15500213000047
19	Inverter Controlled Rotary Compressor	11103020000006
20	Discharge temperature sensor assembly	11201007000005
21	Electronic control box assembly	17222000012668
21.1	Electric Installing Box Cover	12222000001455
21.2	Outdoor power board assembly	17122000023672
21.3	Installation board for E-parts	12122000006913
21.5	Electric Installing Box Subassembly	12222000001311
22	Brass Nut	15500406000016
22	Brass Nut	15500406000012
31	Terminal board assembly	17222000012648
31.1	Cover of electronic control box	12122000014222
31.2	Outdoor power board assembly	17122000023668
31.3	Electronic installing box	12122000014221
31.4	Installation board for E-parts	12222000006564