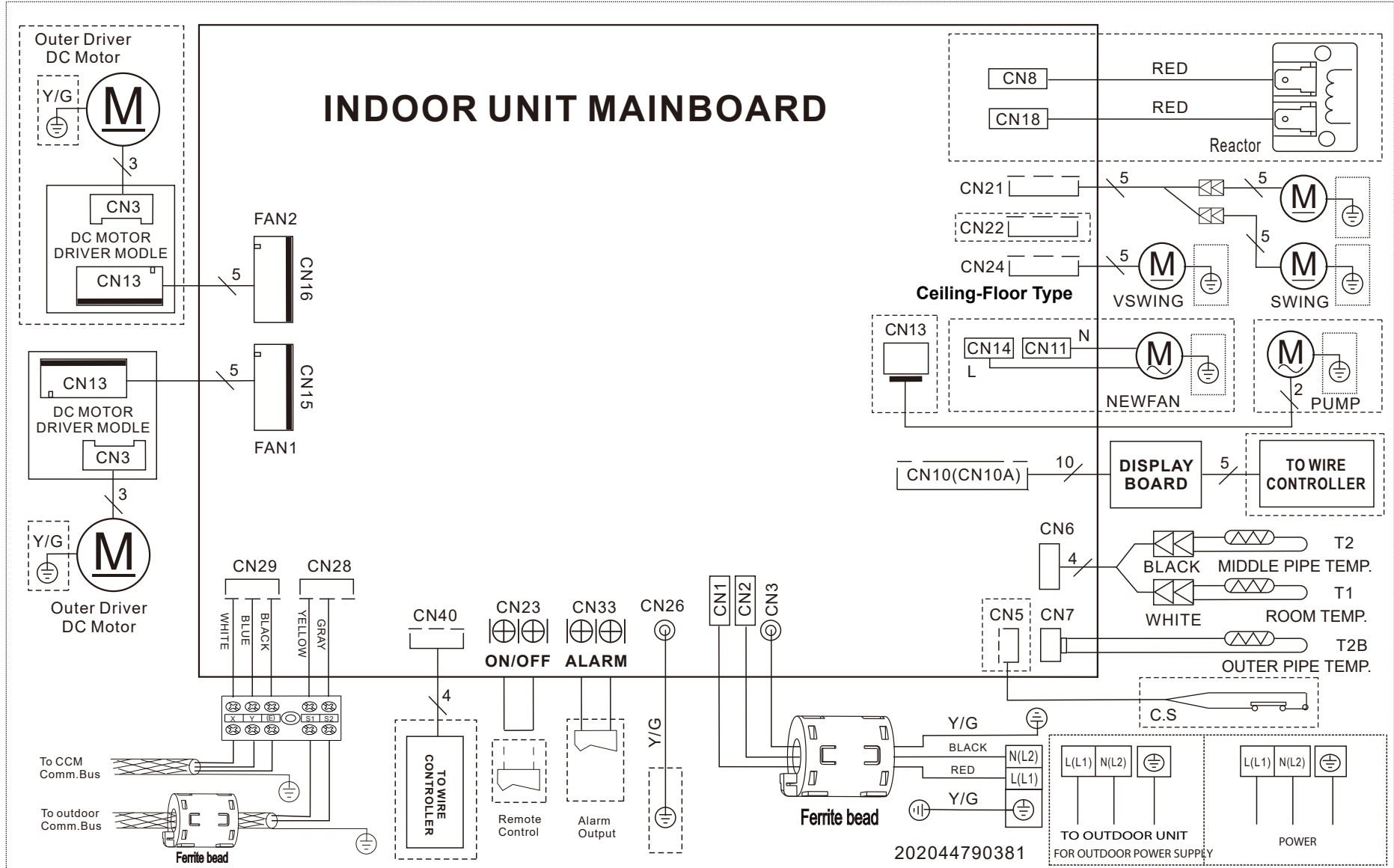
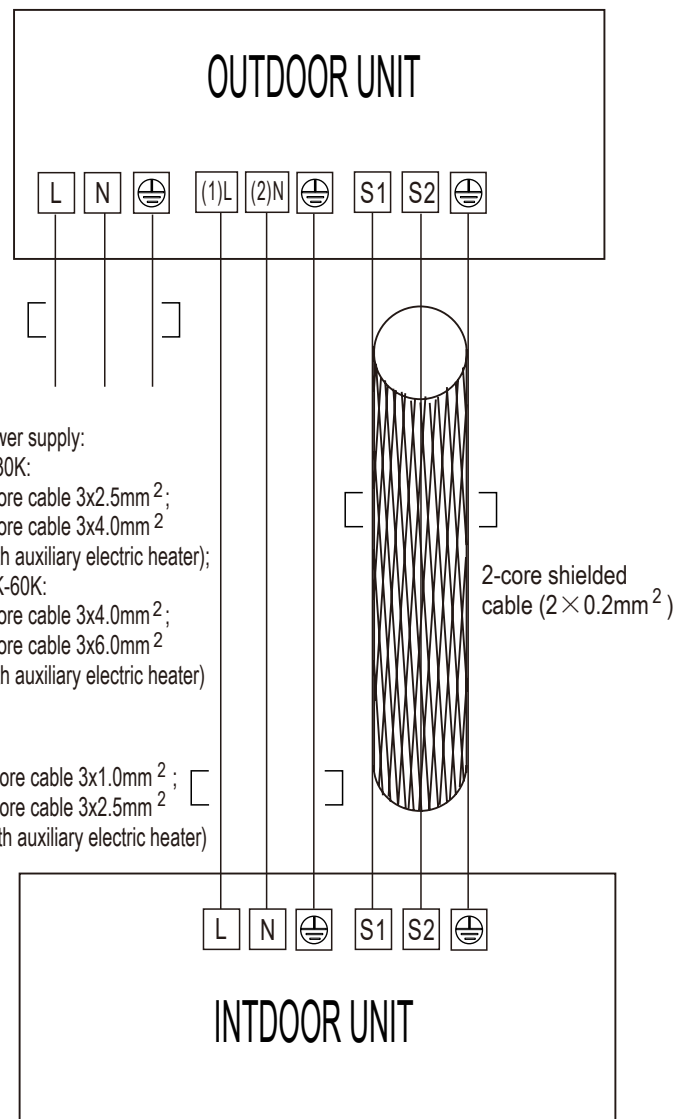
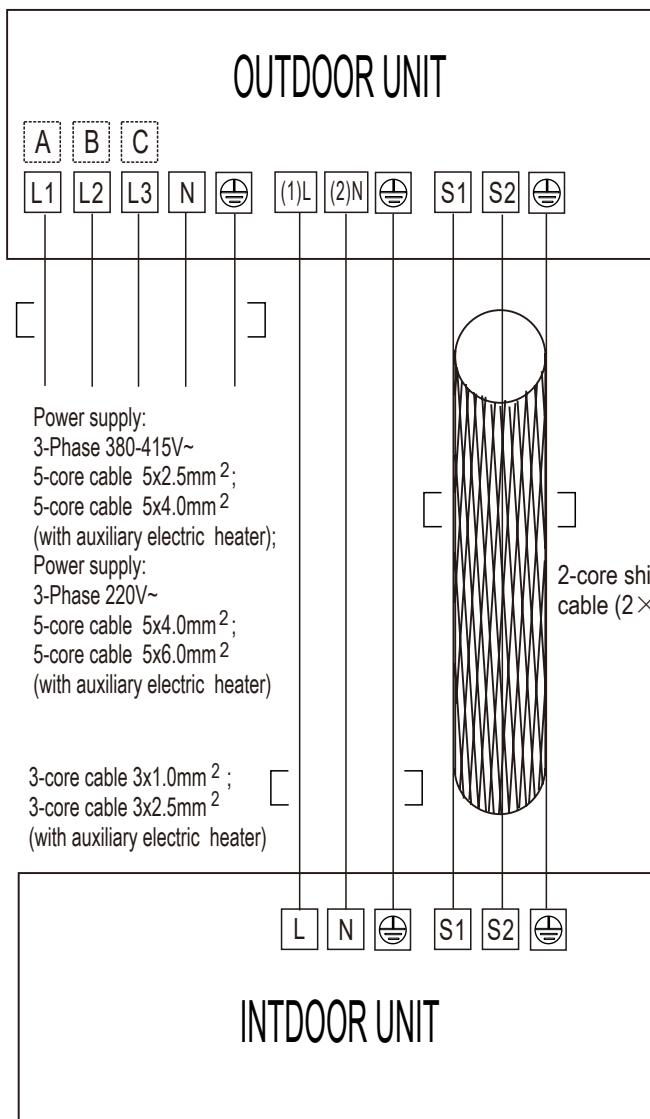


# INDOOR UNIT MAINBOARD

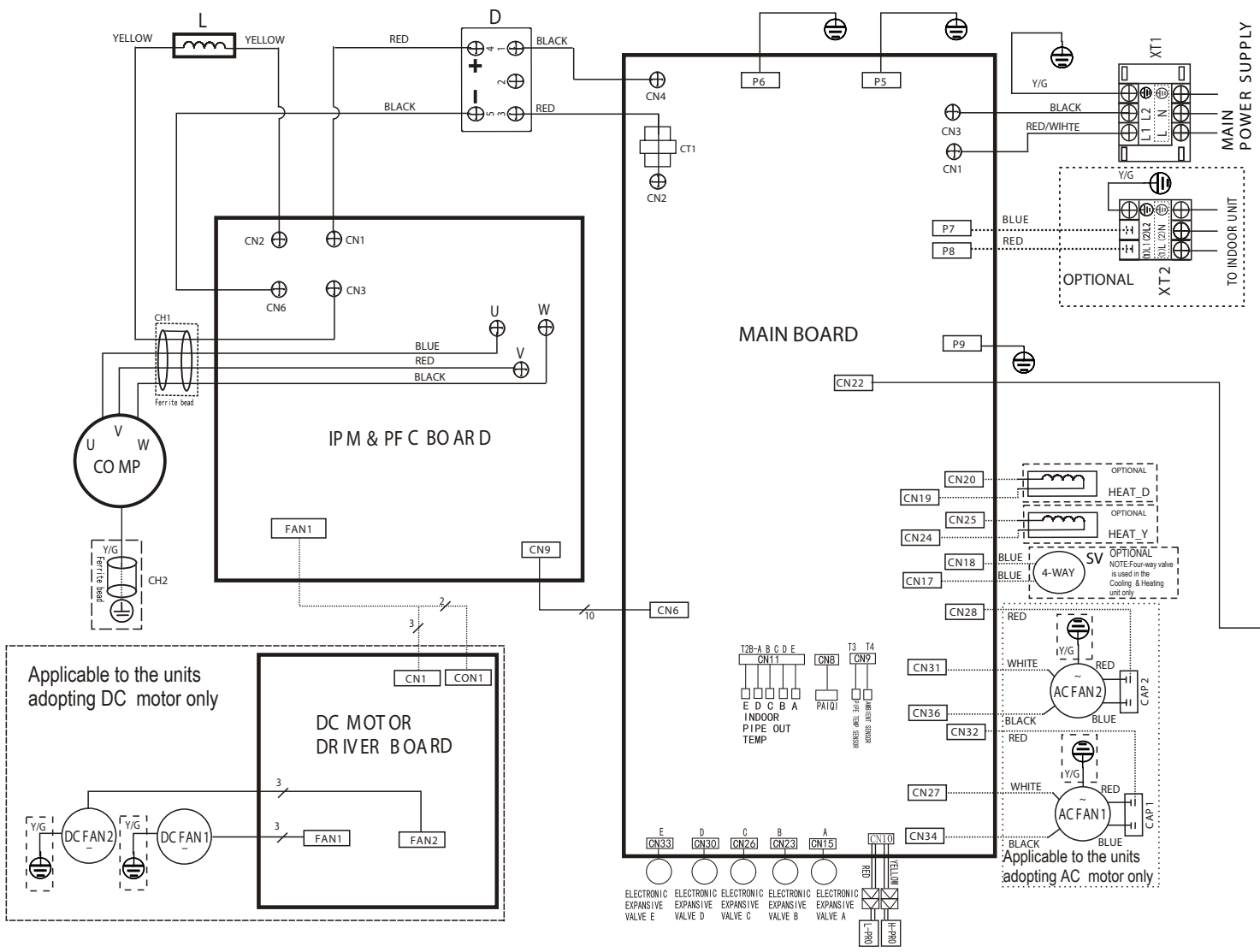


# Air Condition Link-Circuit

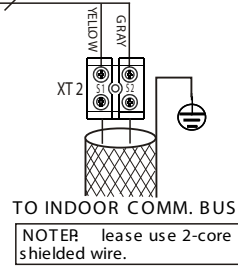
16023000006042



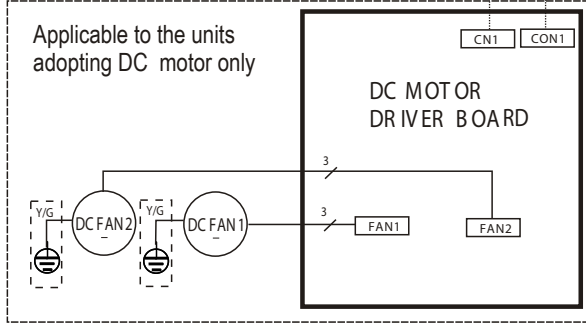
WIRING DIAGRAM (OUTDOOR UNIT)  
16022500003306



| CODE      | PART NAME                          |
|-----------|------------------------------------|
| COMP      | COMPRESSOR                         |
| CAP1,CAP2 | FAN MOTOR CAPACITOR                |
| CT1       | AC CURRENT DETECTOR                |
| D         | DIODE MODULE                       |
| EEV       | ELECTRIC EXPANSIVE VALVE           |
| FM1,FM2   | OUTDOOR DC FAN                     |
| FAN1,FAN2 | OUTDOOR AC FAN                     |
| HEAT      | CRANKCASE HEATING                  |
| H-PRO     | HIGH PRESSURE SWITCH               |
| L         | PFC INDUCTOR                       |
| L-PRO     | LOW PRESSURE SWITCH                |
| KM        | AC CONTACTOR                       |
| SV        | 4-WAY VALVE                        |
| TP        | EXHAUST TEMPERATURE SENSOR         |
| T3        | CONDENSER TEMPERATURE SENSOR       |
| T4        | OUTDOOR AMBIENT TEMPERATURE SENSOR |
| TH        | HEATSINK TEMPERATURE SENSOR        |



TO INDOOR COMM. BUS  
NOTE: please use 2-core shielded wire.



ELECTRONIC EXPANSIVE VALVE E  
ELECTRONIC EXPANSIVE VALVE D  
ELECTRONIC EXPANSIVE VALVE G  
ELECTRONIC EXPANSIVE VALVE B  
ELECTRONIC EXPANSIVE VALVE A

Applicable to the units adopting AC motor only