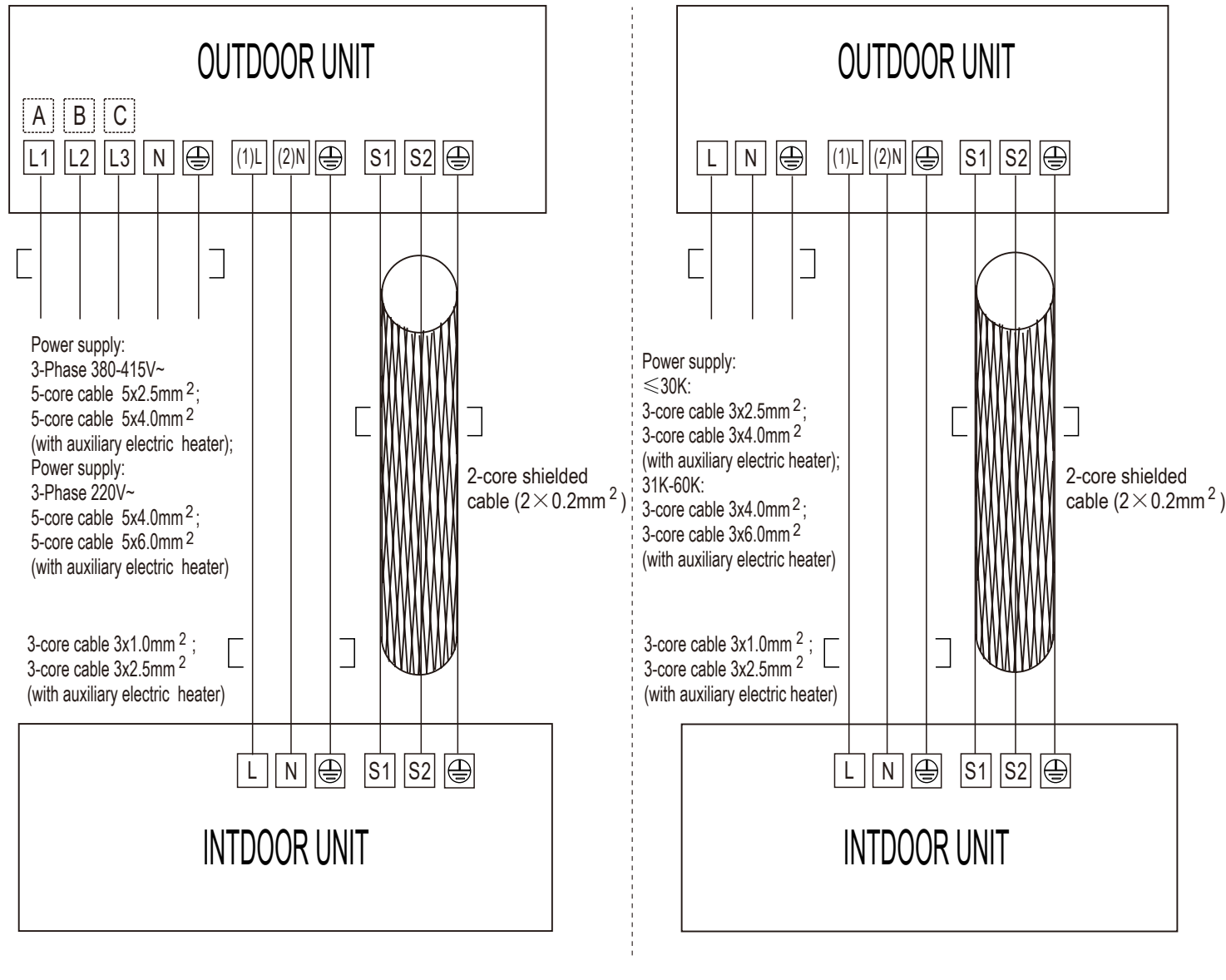
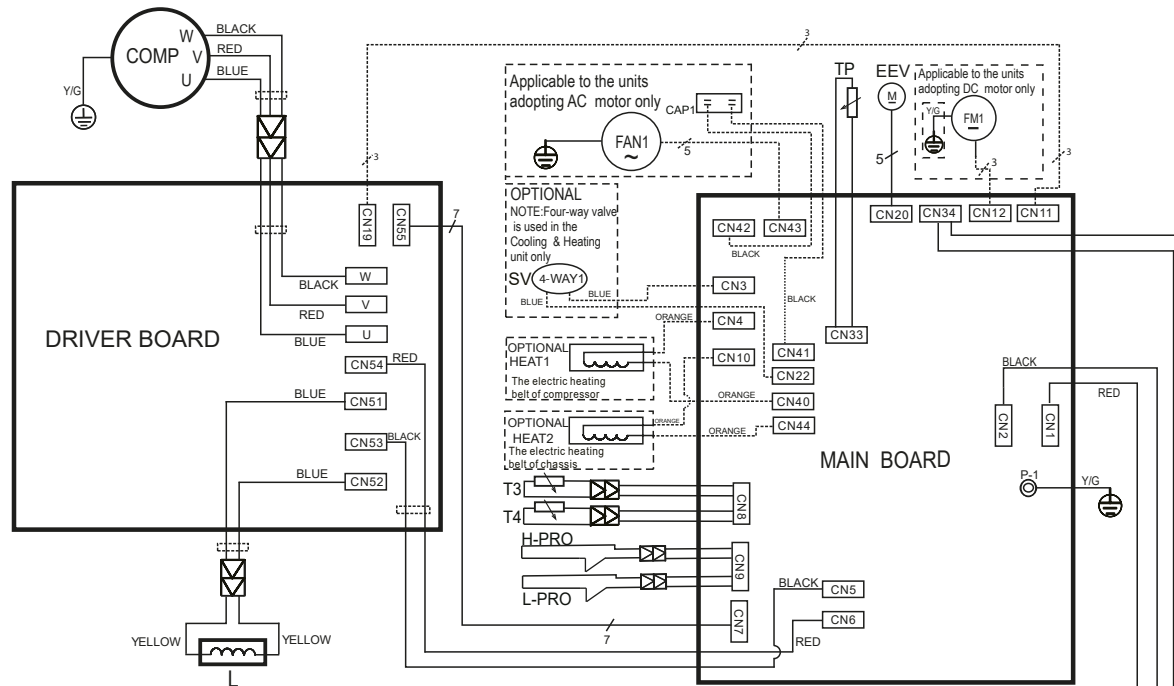


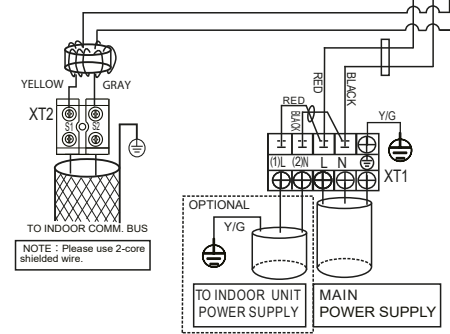
Air Condition Link-Circuit

16023000006042





CODE	PART NAME
COMP	COMPRESSOR
CAP1	FAN MOTOR CAPACITOR
EEV	ELECTRIC EXPANSIVE VALVE
FM1	OUTDOOR DC FAN
FAN1	OUTDOOR AC FAN
HEAT	CRANKCASE HEATING
H-PRO	HIGH PRESSURE SWITCH
L	PFC INDUCTOR
L-PRO	LOW PRESSURE SWITCH
SV	4-WAY VALVE
TP	EXHAUST TEMPERATURE SENSOR
T3	CONDENSER TEMPERATURE SENSOR
T4	OUTDOOR AMBIENT TEMPERATURE SENSOR
TH	HEATSINK TEMPERATURE SENSOR



Applicable to the units adopting AC motor only

Applicable to the units adopting DC motor only

OPTIONAL
NOTE: Four-way valve is used in the Cooling & Heating unit only

OPTIONAL HEAT1
The electric heating half of compressor

OPTIONAL HEAT2
The electric heating half of chassis

NOTE: Please use 2-core shielded wire.

OPTIONAL