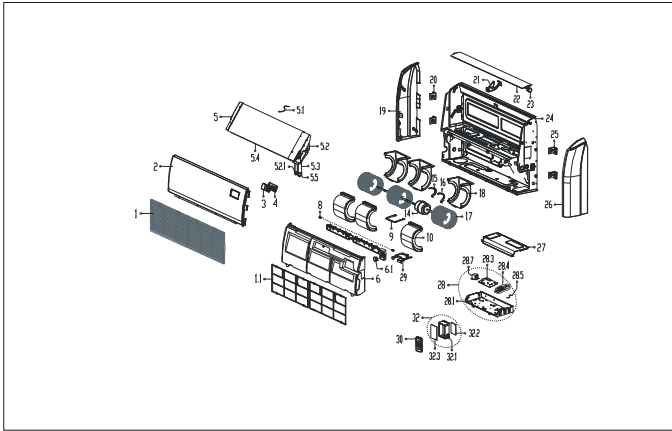


## Almison Comercial - Despiece

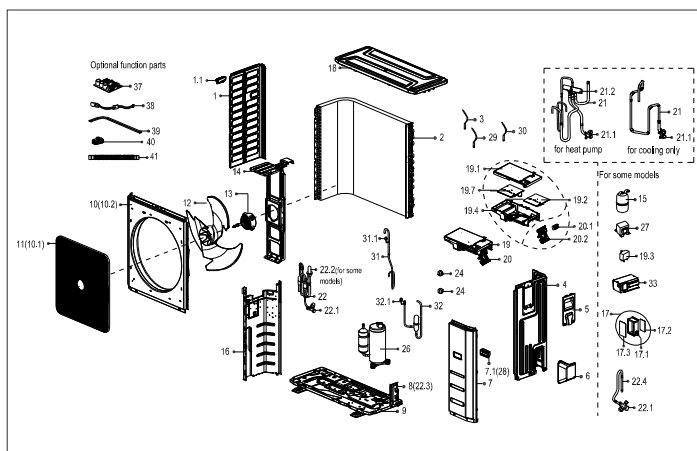
**Modelo Unidad:** ALMS42V1A17UI  
**Tipo Unidad:** Unidad Interior  
**Modelo Conjunto:** ALMS42  
**Alimentación:** null,220\_240V\_1Ph,FREQUENCY\_50HZ



No.	Nombre del Recambio (En)	Código
1	Air Returning Grille Subassembly	1212270000096
1.1	Air Filter	12100204000718
2	Top cover	1222270000093
3	VLED Display Module	1712270000005
4	Display panel box	1212270000044
5	Evaporator assembly	15822700000136
5.1	Temperature Sensor	1120100700006
5.1	Temperature Sensor	11201007000266
5.2	Input pipes of Evaporator assemblyJoint board of Evaporator	15122700000414
5.2.1	Copper nut	15500406000010
5.3	Outlet Pipes of Evaporator	15122700000186
5.4	Evaporator	15822700000620
5.5	Copper net	15500406000003
6	Water receiver subassembly	1282270000009
6.1	Stepper motor	11002010000546
8	Electricity preventing axis	12122000000344
9	Motor Boarding	12222300000230
10	Upper Volute	12122700000049
14	Brushless DC Motor	11002015000344
15	Motor clamp	12222500000255
16	Motor clamp	12222500000253
17	Plastic Fan Wheel	12100103000165
18	Lower Scroll	12122700000113
19	Cover plate (right)	12122700000087
20	Installation Right Hanger	12222700000018
21	Guide holder	12122700000150
22	Subassembly of Air Guide Strip	12122700000059
23	stepper motor	11002010000057
24	Chassis assembly	12222700000228
25	Installation Left Hanger	12222700000016
26	Cover plate (left)	12122700000093
27	E-Part Box Cover Subassembly	12222700000058
28	E-Parts Box assembly	17222700000896
28.1	Welding Parts of Electrical Control Box	12222700000083
28.3	Indoor Main Control Board Subassembly (Tie-in . RoHS)	17122700000855
28.4	Wire joint, 5p	17400401000094
28.4	Terminal block	17400401000022
28.5	Room Temperature Sensor	11201007000073
28.7	Reactance	17400306000070
29	Connecting pipe clamp	12222700000054
30	Remote controller	17317000000431
32	Electrical Control Box Subassembly	17222700000162
32.1	Electrical Control Box	12223000000052
32.2	Inverter Module Subassembly (Sticker)	17122000008498
32.3	Radiator	11203803000154

## Almison Comercial - Despiece

**Modelo Unidad:** ALMC42V1A17UE  
**Tipo Unidad:** Unidad Exterior  
**Modelo Conjunto:** ALMC42  
**Alimentación:** 220\_240V\_1Ph,FREQUENCY\_50HZ



No.	Nombre del Recambio (En)	Código
1	Components of left panel	12222500000539
1.1	Small Handle	12100701000033
2	Condenser Assembly	15823000001501
3	Temperature Sensor	11201007000006
4	Parts of Rear Right Side Plate	12222500000534
5	Big Handle.	12222200001115
6	Water Collecting Cover	12122200002695
7	Front right clapboard assembly	12222500000633
7.1	Little Handle	12100702000038
9	Chassis assembly	12222000004762
10	Front panel	12222000004983
11	Air outlet grille	12122200004160
12	Axial fan	12100105000084
13	Brushless DC Motor	11002015000247
14	Fan Motor Holder Subassembly	12222500000547
15	Accumulator cylinder	15500508000002
16	Separator Assembly	12222200001158
18	Top cover assembly	12222500000541
19	E-Parts Box assembly	17223000001316
19.1	Electric Installing Box Subassembly	12122200002719
19.2	Sticker Subassembly of Outdoor Main Control Board	17123000001432
19.4	Electric Installing Box Subassembly	12122200002715
19.7	Outdoor Inverter Module Subassembly	17122500001174
20	Terminal Block Subassembly of Electrical Control Box	17223000000580
20.1	Wire holder	17400401000032
20.1	Wire holder	17400401000098
20.2	Wiring terminal installing plate	12222200001476
21	Gas Valve Assembly	15422500000236
21.1	Low Pressure Valve	15500204000025
21.2	4-way Valve	15500216000012
22	High-Voltage valve Assembly	15423000001918
22.1	Low Pressure Valve	15500204000008
22.2	Electronic expansion valve	15500213000245
22.3	Installation plate for valves	12222200002110
24	Brass Nut	15500406000010
24	Brass Nut	15500406000003
26	DC Inverter Rotary Compressor	11103020000439
29	Discharge temperature sensor assembly	11201007000246
30	Room Temperature Sensor	11201007000039
31	Parts of compressor return pipe	15122500001076
31.1	Pressure controller	17400516000024
32	Parts of compressor exhaust pipe	15122500001079
32.1	Pressure controller	17400516000007