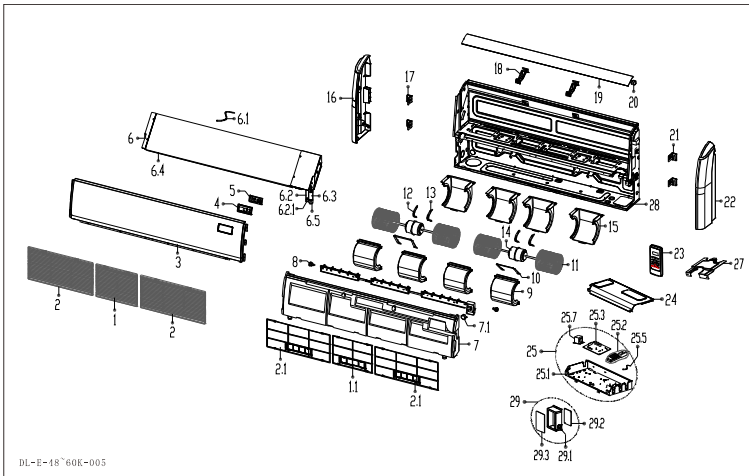


## Almison Comercial - Despiece

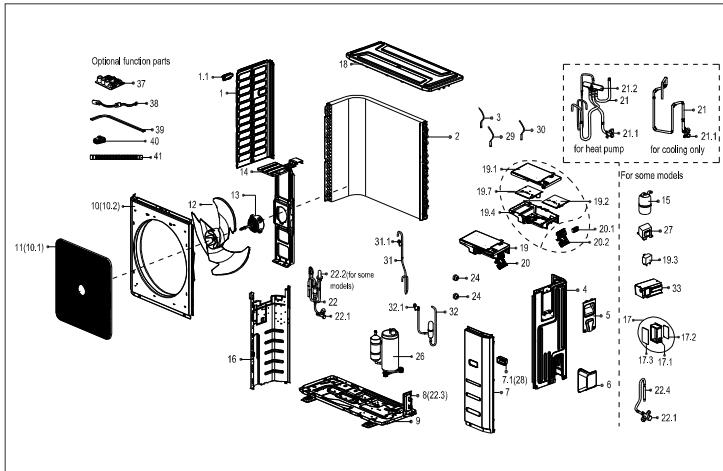
**Modelo Unidad:** ALMS36V1A17UI  
**Tipo Unidad:** Unidad Interior  
**Modelo Conjunto:** ALMS36  
**Alimentación:** 220-240V~ 50Hz 1Phase



No.	Nombre del Recambio (En)	Código
1	Air Returning Grille Subassembly	12122700000103
1.1	Air Filter	12100204000719
2	Air Returning Grille Subassembly	12122700000096
2.1	Air Filter	12100204000718
3	Top cover	12222700000093
4	Display panel box	12122700000044
5	VLED Display Module	17122700000005
6	Evaporator assembly	15822700000136
6.1	Temperature Sensor	11201007000006
6.1	Temperature Sensor	112010070000266
6.2	Input pipes of Evaporator assemblyJoint board of Evaporator	15122700000414
6.2.1	Copper nut	15500406000010
6.3	Outlet Pipes of Evaporator	15122700000186
6.4	Evaporator	15822700000620
6.5	Copper net	15500406000003
7	Water receiver subassembly	12822700000009
7.1	Stepper motor	11002010000546
8	Electricity preventing axis	12122000000344
9	Upper Volute	12122700000049
10	Motor Boarding	12222300000230
11	Plastic Fan Wheel	12100103000165
12	Motor clamp	12222500000255
13	Motor clamp	12222500000253
14	Brushless DC Motor	11002015000344
15	Lower Scroll	12122700000113
16	Cover plate (right)	12122700000087
17	Installation Right Hanger	12222700000018
18	Guide holder	12122700000150
19	Subassembly of Air Guide Strip	12122700000059
20	stepper motor	11002010000057
21	Installation Left Hanger	12222700000016
22	Cover plate (left)	12122700000093
23	Remote controller	17317000000431
24	E-Part Box Cover Subassembly	12222700000058
25	E-Parts Box assembly	17222700000097
25.1	Welding Parts of Electrical Control Box	12222700000083
25.2	Terminal block	17400401000022
25.2	Wire joint, 5p	17400401000094
25.3	Indoor Main Control Board Subassembly (Tie-in, RoHS)	17122700000145
25.5	Room Temperature Sensor	11201007000073
25.7	Reactance	17400306000070
27	Connecting pipe clamp	12222700000054
28	Chassis assembly	12222700000228
29	Electrical Control Box Subassembly	17222700000162
29.1	Electrical Control Box	12223000000052
29.2	Inverter Module Subassembly (Sticker)	171220000008498
29.3	Radiator	11203803000154

## Almison Comercial - Despiece

**Modelo Unidad:** ALMC36V1A17UE  
**Tipo Unidad:** Unidad Exterior  
**Modelo Conjunto:** ALMC36  
**Alimentación:** 220\_240V\_1Ph,FREQUENCY\_50HZ



No.	Nombre del Recambio (En)	Código
1	Components of left panel	12222500000539
1.1	Small Handle	12100701000033
2	Condenser Assembly	15822200000807
3	Temperature Sensor	11201007000006
4	Parts of Rear Right Side Plate	12222500000534
5	Big Handle.	12222200001115
6	Water Collecting Cover	12122200002695
7	Front right clapboard assembly	12222500000633
7.1	Little Handle	12100702000038
9	Chassis assembly	12222000004762
10	Front panel	12222000004983
11	Air outlet grille	12122200004160
12	Axial fan	12100105000084
13	Brushless DC Motor	11002015000247
14	Holder for fan motor assembly	12222000005162
15	Accumulator cylinder	15500508000315
16	Separator Assembly	12222200001158
18	Top cover assembly	12222500000541
19	E-Parts Box assembly	17222500000702
19.1	Electric Installing Box Subassembly	12122200002719
19.2	Sticker Subassembly of Outdoor Main Control Board	17122500001175
19.4	Electric Installing Box Subassembly	12122200002715
19.7	Outdoor Inverter Module Subassembly	17122500001174
20	Terminal Block Subassembly of Electrical Control Box	17223000000580
20.1	Wire holder	17400401000032
20.1	Wire holder	17400401000098
20.2	Wiring terminal installing plate	12222200001476
21	4-ways valve assembly	15422500000197
21.1	Low Pressure Valve	15500204000025
21.2	4-way Valve	15500216000026
22	High-Voltage valve Assembly	15422500000196
22.1	Low Pressure Valve	15500204000008
22.2	Electronic expansion valve	15500213000245
22.3	Installation plate for valves	12222200002110
24	Brass Nut	15500406000003
24	Brass Nut	15500406000010
26	DC Inverter Rotary Compressor	11103020000439
29	Discharge temperature sensor assembly	112010070000246
30	Room Temperature Sensor	11201007000039
31	Parts of compressor return pipe	15122500001556
31.1	Pressure controller	17400516000024
32	Parts of compressor exhaust pipe	15122500001079
32.1	Pressure controller	17400516000007