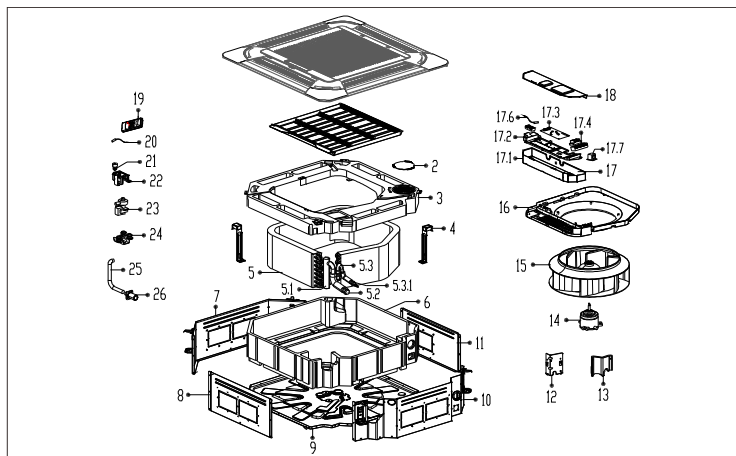


Almison Comercial - Despiece

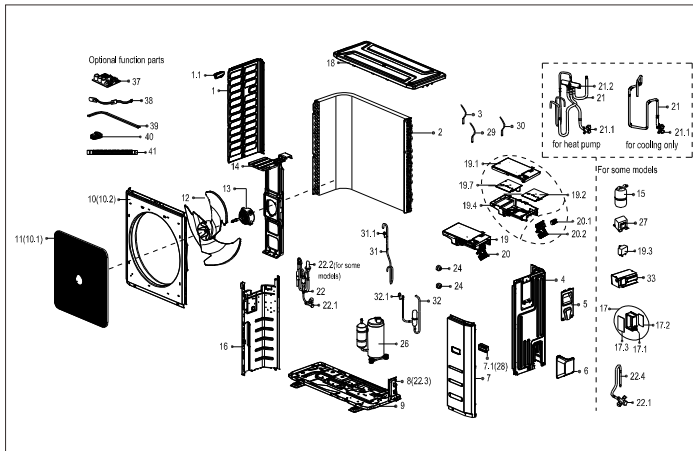
Modelo Unidad: **ALMC42V1A17UI**
 Tipo Unidad: Unidad Interior
 Modelo Conjunto: ALMT42
 Alimentación: null,220_240V_1Ph,FREQUENCY_50HZ



No.	Nombre del Recambio (En)	Código
2	Water Tightness Testing Cover Subassembly	12122500000025
3	Water receiver foam subassembly	12822500000059
4	Evaporator Fixing hanger	12222500000089
5	Evaporator assembly	158225000000461
5.1	Outlet Pipes of Evaporator	151225000000232
5.2	Copper net	155004060000003
5.3	Input pipes of Evaporator assemblyJoint board of Evaporator	151225000000346
5.3.1	Copper nut	155004060000010
6	Chassis Foam Subassembly	12822500000015
7	Boarding Subassembly	122225000000144
8	Boarding	122225000000230
9	Chassis Welding Parts	122225000000122
10	Boarding Subassembly	122225000000137
11	Boarding	122225000000241
12	Evaporator Intermediate Plate Subassembly	122225000000105
13	Sealing board for Pipe Tie-in Subassembly	121225000000331
14	Brushless DC Motor	110020150000281
15	Centrifugal Fan SL	121001030000096
16	Air Guide Coil	121225000000420
17	E-Parts Box assembly	1722250000002140
17.1	Electrical Control Box	122225000000119
17.2	Wiring baseplate	121225000000029
17.3	Indoor Main Control Board Subassembly (Sticker RoHS)Indoor Main Control Board Subassembly (Tie-in, RoHS)	171225000000323
17.4	Terminal block	17400401000022
17.6	Room Temperature Sensor	112010070000283
17.7	Reactance	174003060000403
18	Electrical Control Box Cover Subassembly	122225000000162
19	Remote controller	17317000000145
20	Temperature Sensor	112010070000266
20	Temperature Sensor	112010070000136
21	Water Level Sensor	112010050000006
22	Water Pump installation bracket assembly	121225000001147
23	Water Pump Subassembly	17400802000012
24	Pump rubber washer	126225000000006
25	Drain pipeExtended water pipe	126225000000013
26	Drainpipe connector pipe	121005090000068

Almison Comercial - Despiece

Modelo Unidad: **ALMC42V1A17UE**
 Tipo Unidad: Unidad Exterior
 Modelo Conjunto: ALMC42
 Alimentación: 220_240V_1Ph,FREQUENCY_50HZ



No.	Nombre del Recambio (En)	Código
1	Components of left panel	1222250000539
1.1	Small Handle	12100701000033
2	Condenser Assembly	1582300001501
3	Temperature Sensor	11201007000006
4	Parts of Rear Right Side Plate	12222500000534
5	Big Handle.	12222200001115
6	Water Collecting Cover	12122200002695
7	Front right clapboard assembly	12222500000633
7.1	Little Handle	12100702000038
9	Chassis assembly	12222000004762
10	Front panel	12222000004983
11	Air outlet grille	12122200004160
12	Axial fan	12100105000084
13	Brushless DC Motor	11002015000247
14	Fan Motor Holder Subassembly	12222500000547
15	Accumulator cylinder	15500508000002
16	Separator Assembly	12222200001158
18	Top cover assembly	12222500000541
19	E-Parts Box assembly	17223000001316
19.1	Electric Installing Box Subassembly	121222000002719
19.2	Sticker Subassembly of Outdoor Main Control Board	17123000001432
19.4	Electric Installing Box Subassembly	121222000002715
19.7	Outdoor Inverter Module Subassembly	17122500001174
20	Terminal Block Subassembly of Electrical Control Box	17223000000580
20.1	Wire holder	17400401000032
20.1	Wire holder	17400401000098
20.2	Wiring terminal installing plate	12222200001476
21	Gas Valve Assembly	15422500000236
21.1	Low Pressure Valve	15500204000025
21.2	4-way Valve	15500216000012
22	High-Voltage valve Assembly	15423000001918
22.1	Low Pressure Valve	15500204000008
22.2	Electronic expansion valve	15500213000245
22.3	Installation plate for valves	122222000002110
24	Brass Nut	15500406000010
24	Brass Nut	15500406000003
26	DC Inverter Rotary Compressor	11103020000439
29	Discharge temperature sensor assembly	112010070000246
30	Room Temperature Sensor	11201007000039
31	Parts of compressor return pipe	15122500001076
31.1	Pressure controller	17400516000024
32	Parts of compressor exhaust pipe	15122500001079
32.1	Pressure controller	17400516000007