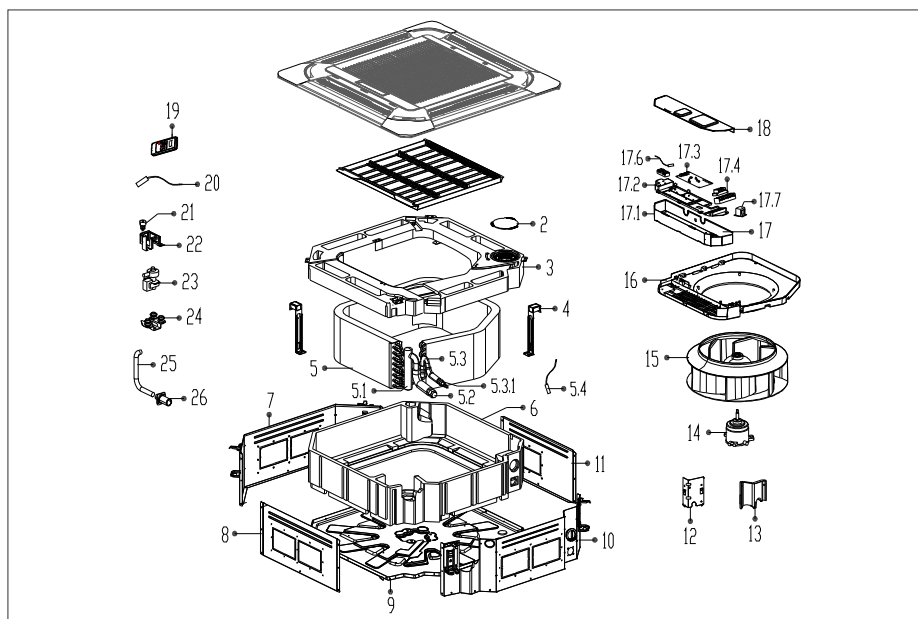


Almison Comercial - Despiece

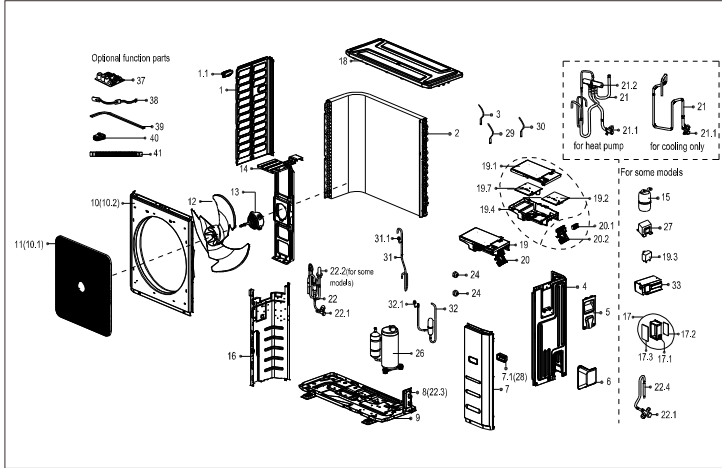
Modelo Unidad **ALMC36V1A17UI**
 Tipo Unidad **Unidad Interior**
 Modelo Conjunto: **ALMC36**
 Alimentación: **220-240V~ 50Hz 1Phase**



No.	Nombre del Recambio (En)	Código
2	Water Tightness Testing Cover Subassembly	1212250000025
3	Water receiver foam subassembly	1282250000059
4	Evaporator Fixing hanger	1222250000089
5	Evaporator assembly	15822500000461
5.1	Outlet Pipes of Evaporator	1512250000232
5.2	Copper net	1550040600003
5.3	Input pipes of Evaporator assemblyJoint board of Evaporator	15122500000346
5.3.1	Copper nut	15500406000010
6	Chassis Foam Subassembly	1282250000015
7	Boarding Subassembly	12222500000144
8	Boarding	12222500000230
9	Chassis Welding Parts	12222500000122
10	Boarding Subassembly	12222500000137
11	Boarding	12222500000241
12	Evaporator Intermediate Plate Subassembly	12222500000105
13	Sealing board for Pipe Tie-in Subassembly	12122500000331
14	Brushless DC Motor	11002015000281
15	Centrifugal Fan SL	12100103000096
16	Air Guide Coil	12122500000420
17	E-Parts Box assembly	17222500002140
17.1	Electrical Control Box	12222500000119
17.2	Wiring baseplate	12122500000029
17.3	Indoor Main Control Board Subassembly (Sticker RoHS)Indoor Main Control Board Subassembly (Tie-in RoHS)	17122500000323
17.4	Terminal block	17400401000022
17.6	Room Temperature Sensor	11201007000283
17.7	Reactance	17400306000403
18	Electrical Control Box Cover Subassembly	12222500000162
19	Remote controller	17317000000145
20	Temperature Sensor	11201007000266
20	Temperature Sensor	11201007000136
21	Water Level Sensor	11201005000006
22	Water Pump installation bracket assembly	12122500001147
23	Water Pump Subassembly	17400802000012
24	Pump rubber washer	12622500000006
25	Drain pipeExtended water pipe	12622500000013
26	Drainpipe connector pipe	12100509000068

Almison Comercial - Despiece

Modelo Unidad: **ALMC36V1A17UE**
 Tipo Unidad: **Unidad Exterior**
 Modelo Conjunto: **ALMC36**
 Alimentación: **220_240V_1Ph,FREQUENCY_50HZ**



No.	Nombre del Recambio (En)	Código
1	Components of left panel	12222500000539
1.1	Small Handle	12100701000033
2	Condenser Assembly	15822200000807
3	Temperature Sensor	11201007000006
4	Parts of Rear Right Side Plate	12222500000534
5	Big Handle.	12222200001115
6	Water Collecting Cover	12122200002695
7	Front right clapboard assembly	12222500000633
7.1	Little Handle	12100702000038
9	Chassis assembly	12222000004762
10	Front panel	12222000004983
11	Air outlet grille	12122200004160
12	Axial fan	12100105000084
13	Brushless DC Motor	11002015000247
14	Holder for fan motor assembly	12222000005162
15	Accumulator cylinder	15500508000315
16	Separator Assembly	12222200001158
18	Top cover assembly	12222500000541
19	E-Parts Box assembly	17222500000702
19.1	Electric Installing Box Subassembly	12122200002719
19.2	Sticker Subassembly of Outdoor Main Control Board	17122500001175
19.4	Electric Installing Box Subassembly	12122200002715
19.7	Outdoor Inverter Module Subassembly	17122500001174
20	Terminal Block Subassembly of Electrical Control Box	17223000000580
20.1	Wire holder	17400401000032
20.1	Wire holder	17400401000098
20.2	Wiring terminal installing plate	12222200001476
21	4-ways valve assembly	15422500000197
21.1	Low Pressure Valve	15500204000025
21.2	4-way Valve	15500216000026
22	High-Voltage valve Assembly	15422500000196
22.1	Low Pressure Valve	15500204000008
22.2	Electronic expansion valve	15500213000245
22.3	Installation plate for valves	12222200002110
24	Brass Nut	15500406000003
24	Brass Nut	15500406000010
26	DC Inverter Rotary Compressor	11103020000439
29	Discharge temperature sensor assembly	11201007000246
30	Room Temperature Sensor	11201007000039
31	Parts of compressor return pipe	15122500001556
31.1	Pressure controller	17400516000024
32	Parts of compressor exhaust pipe	15122500001079
32.1	Pressure controller	17400516000007