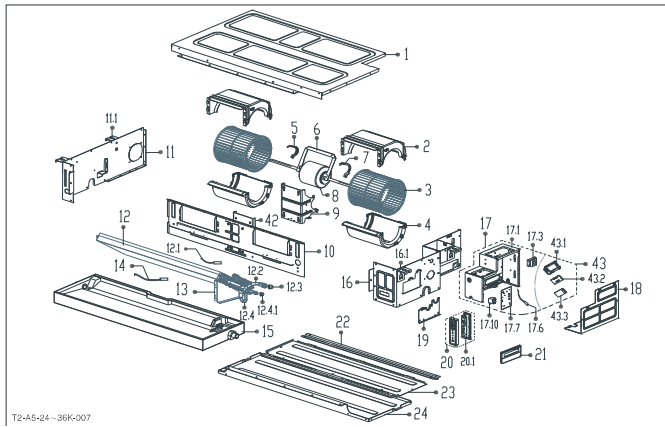


Almison Comercial - Despiece

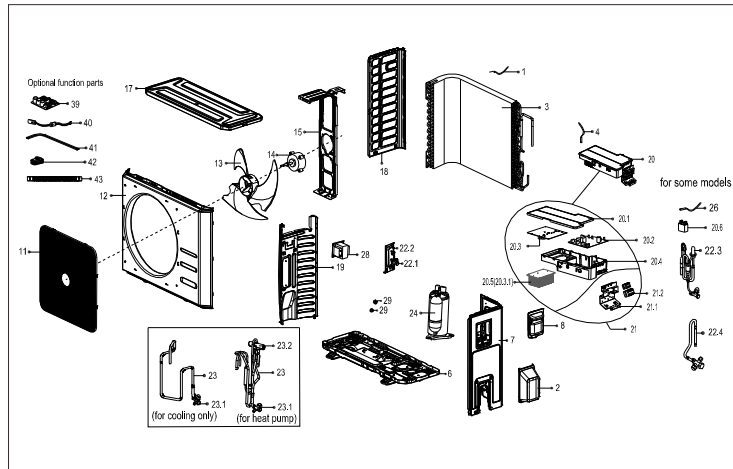
Modelo Unidad: ALMC24V1A17UI
 Tipo Unidad: Unidad Interior
 Modelo Conjunto: ALMC24
 Alimentación: null,220_240V_1Ph,FREQUENCY_50HZ



No.	Nombre del Recambio (En)	Código
1	Chassis Assembly	12223000000515
2	Volute shell,up	12123000000024
3	Centrifugal fan	12100103000079
4	Volute shell,down	12123000000022
5	Motor clamp	12222500000253
6	Motor Boarding	12223000000537
7	Motor clamp	12222500000255
8	Brushless DC Motor	11002015000344
9	Fan Motor Holder	12223000000559
10	Middle beam components	12223000000233
11	Left panel Subassembly	12223000000122
12	Evaporator assembly	15823000002165
12.1	Pipe temperature sensor assembly	11201007000136
12.2	Outlet Pipe Subassembly	15123000000280
12.3	Copper net	15500406000003
12.4	Inlet Pipe Subassembly	15123000000340
13	Components of the right support plate evaporator	12223000000291
14	Temperature Sensor	11201007000266
15	Water receiver assembly	12823000000001
16	Parts fn Right Side Plate	12223000000087
17	E-Parts Box assembly	17223000000218
17.1	Welding Parts of Electrical Control Box	12223000000046
17.3	terminal block, 2p	17400401000026
17.6	Ambient temperature sensor assembly	11201007000073
17.7	Indoor Main Control Board Subassembly (Tie-in RoHS)	17123000000162
17.10	Reactance	17400306000070
18	E-Part box cover	12223000000060
19	Pressing Plate Subassembly of Tube(RoHS)	12223000000524
20	Display box ass'y	17223000000003
20.1	Display board assembly	17123000000096
22	Rear beam	12223000000263
23	Rear cover assembly	12223000000217
24	Top cover ass'y	12223000000199
35	Drain pipe	12623000000003
36	Drain pump	17400802000021
37	Bracket Subassembly of Water Drain Pump(RoHS)	12223000000571
38	Connecting pipe	12100510000021
39	Pump Rubber washer	12622500000004
40	Water cover ass'y	12123000000043
41	Pump Rubber washer	12622500000003
42	Motor Installing Foundation Subassembly	12223000000547
43	Electrical Control Box Subassembly	17222700000162
43.1	Electrical Control Box	12223000000052
43.2	Inverter Module Subassembly (Sticker)	17122000008498
43.3	Radiator	11203803000154
45	Water cover ass'y	12123000000043
52	Flange components	12223000000462
53	Filter network	12100204000001

Almison Comercial - Despiece

Modelo Unidad: **ALMC24V1A17UE**
 Tipo Unidad: **Unidad Exterior**
 Modelo Conjunto: **ALMC24**
 Alimentación: **220_240V_1Ph,FREQUENCY_50HZ**



No.	Nombre del Recambio (En)	Código
1	Room Temperature Sensor	11201007000282
2	Water Collecting Cover	12122000007150
3	Condenser Assembly	15822000004516
4	Temperature Sensor	11201007000006
6	Chassis assembly	12222000004823
7	Right side plate	12222000004785
8	Big Handle.	12100701000015
11	Air outlet grille	12122000011758
12	Front panel	12222000004822
13	Axial fan	12100105000181
14	Brushless DC Motor	11002015000397
15	Supporter assembly of fan motor	12222000004884
17	Top cover assembly	12222000004795
18	Left side plate assembly	12222000004794
19	Partition board assembly	12222000004784
20	Electronic control box assembly	17223000001937
20.1	Electric Installing Box Cover	12122300000044
20.2	Outdoor main control board assembly	17123000001872
20.3	Inverter control board assembly	171223000001173
20.3.1	Radiator	11203803000676
20.3.1	Radiator	11203803000856
20.4	Installation board for E-parts	12122300000041
21	Terminal Block Subassembly of Electrical Control Box	17223000001936
21.1	Terminal board	12222000006044
21.2	Wire holder	17400401000032
21.2	Wire holder	17400401000098
22	Liquid valve assembly	15422000005992
22.1	Liquid valve	15500208000023
22.2	Installing plate for valves	12222000002571
22.3	Electric expansive valve (EEV)	15500213000176
23	4-way Valve Assembly	15422000008172
23.1	Low Pressure Valve	15500204000025
23.2	4-way Valve	15500216000003
24	Inverter Controlled Rotary Compressor	11103020000179
26	Discharge temperature sensor assembly	11201007000246
28	Reactor	17400306000058
29	Brass Nut	15500406000010
29	Brass Nut	15500406000003