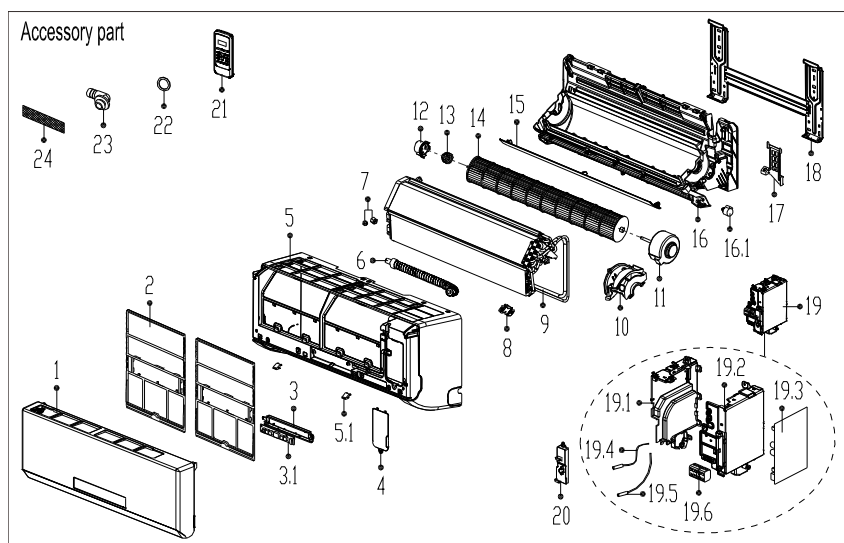


Almison Doméstico - Despiece

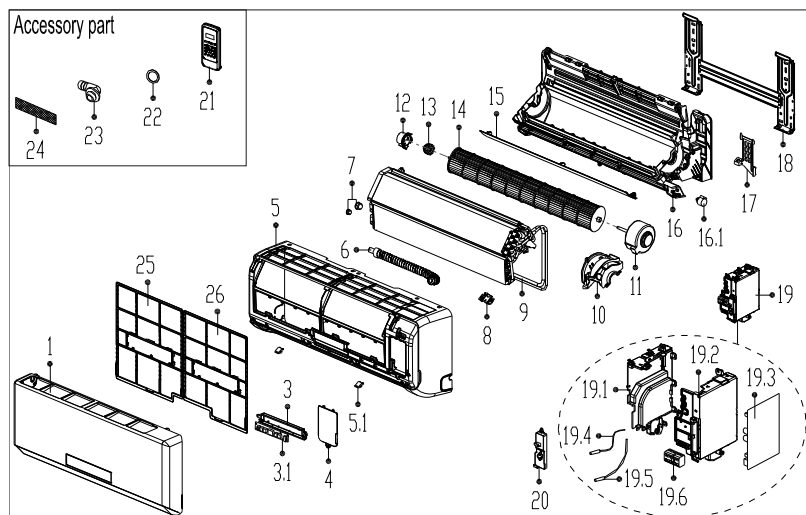
Modelo Unidad ALM09V1A17UI
 Tipo Unidad Unidad Interior
 Modelo Conjunto ALM912
 Alimentación 220_240V_1Ph,FREQUENCY_50HZ



No.	Nombre del Recambio (En)	Código
1	Panel assembly	12122000A01042
2	Filter	12100204000673
3	Structure Subassembly of Display Box	17222000A07406
3.1	VLED Display Module	17122000A08229
4	E-Parts Cover Plate	12122000006694
5	frame assembly	12122000001883
5.1	Screw Cap	12122000006272
6	Drain Hose	12100501000021
7	Brass Nut	15500406000016
7	Brass Nut	15500406000010
8	Temperature Sensing Element Fixing clip	12100303000008
9	Evaporator assembly Gas valve assembly	15822000000363
10	Nombre del Recambio+D28:D43	12122000005431
11	Single-phase Asynchronous Motor	11002012003727
12	Bearing sleeve	12122000000350
13	Bearing pedestal	12622000000006
14	Cross-flow window rotor	12100102000036
15	Wind Guide Assembly	12122000005105
16	Chassis Assembly	12122000004172
16.1	stepper motor	11002010000143
17	Pipe Pressing Board	12122000000445
18	Installation Plate	12222000000024
19	Electronic control box assembly	17222000009510
19.1	Electrical Control Box	12122000007835
19.2	Electrical Control Box	12122000007840
19.3	Indoor main control board assembly	17122000018892
19.4	Room Temperature Sensor	11201007000221
19.5	Temperature Sensor	11201007000001
19.6	Wire holder	17400401000094
20	Electrical Control Box Cover	12122000004994
21	Remote controller	17317000A03243
22	Seal	12600701000039
23	Extend Water Pipe	12100509000061
24	Filter net of cold catalyst	12100204000685
	wifi connection port	17222000A01170

Almison Doméstico - Despiece

Modelo Unidad: **ALM12V1A17UI**
 Tipo Unidad: Unidad Interior
 Modelo Conjunto: ALM912
 Alimentación: 220_240V_1Ph,FREQUENCY_50HZ



No.	Nombre del Recambio (En)	Código
1	Panel assembly	12122000A00344
3	Structure Subassembly of Display Box	17222000A07406
3.1	VLED Display Module	17122000A08229
4	Electrical cover	12122000006694
5	frame assembly	12122000001749
5.1	Screw cover	12122000006272
6	Drain Hose	12100501000021
7	Copper nut	15500406000016
7	Copper nut	15500406000010
8	Temperature Sensing Element Fixing clip	12100303000008
9	Evaporator assembly	15822000003678
10	Motor cover	12122000005431
11	Single-phase Asynchronous Motor	11002012003727
12	beating base jacket	12122000000350
13	Beating base	12622000000006
14	Cross-flow Window Rotor.	12100102000022
15	Wind Guide Assembly	12122000005123
16	Chassis Assembly	12122000004342
16.1	stepper motor	11002010000143
17	Pipe Pressing Board	12122000000445
18	Installation board	12222000000012
19	Electronic control box assembly	17222000009509
19.1	E-Part box	12122000004586
19.2	E-Part box	12122000004565
19.3	Indoor main control board assembly	17122000018890
19.4	Room Temperature Sensor	11201007000221
19.5	Temperature Sensor	11201007000322
19.6	Wire joint, 5p	17400401000094
20	E-Part box cover	12122000004994
21	Remote controller	17317000A03243
22	Seal ring	12600701000039
23	Drain hose	12100509000061
24	Formaldehyde-kille	12100204000685
25	Air filter	12100204000633
26	Right side of the filter	12100204000634
	wifi port	17222000A01170