

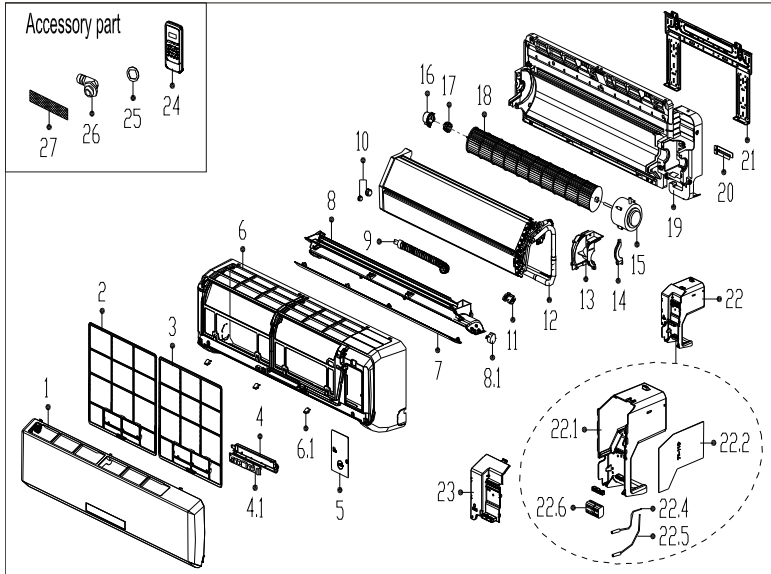
## Almison Doméstico - Despiece

**Modelo Unidad:** ALM24V1A17UI

**Tipo Unidad:** Unidad Interior

**Modelo Conjunto:** ALM24

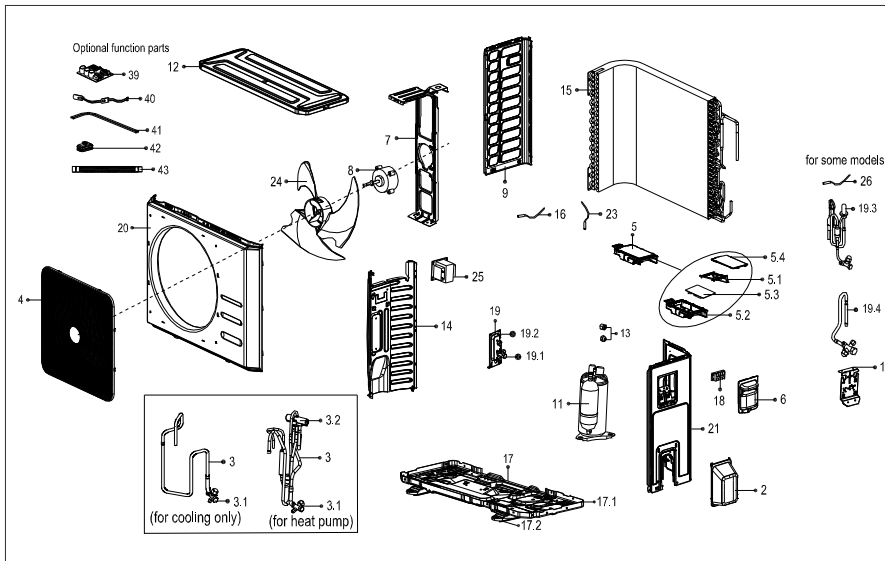
**Alimentación:** 220\_240V\_1Ph,FREQUENCY\_50HZ



No.	Nombre del Recambio (En)	Código
1	Panel assembly	12122000A00153
2	Air filter	12100204000669
3	Right side of the filter	12100204000658
4	Structure Subassembly of Display Box	17222000A07406
4.1	VLED Display Module	17122000A08229
5	E-Parts Cover Plate	12122000006693
6	frame assembly	12122000001910
6.1	Screw Cap	12122000006272
7	Wind Guide	12122000006112
8	Air Out Frame Assembly	12122000005591
8.1	stepper motor	11002010000015
9	Drain Hose	12100501000021
10	Brass Nut	15500406000003
10	Brass Nut	155004060000010
11	Temperature Sensing Element Fixing clip	12100303000008
12	Evaporator assembly Gas valve assembly	15822000003687
13	Motor Bearing Cover	12122000005516
14	Fixing board for motor	12122000006772
15	Brushless DC Motor	11002015000094
16	Bearing sleeve	12122000000350
17	Bearing pedestal	12622000000006
18	Cross-flow window rotor	12100102000002
19	Chassis Assembly	12122000003943
20	Pipe Pressing Board	12222000000054
21	Installation Plate Subassembly	12222000000008
22	Electronic control box assembly	17222000009514
22.1	Electrical Control Box	12122000004598
22.2	Indoor main control board assembly	17122000018901
22.4	Room Temperature Sensor	11201007000003
22.5	Temperature Sensor	11201007000126
22.6	Wire holder	17400401000006
23	Electrical Control Box Cover	12122000005046
24	Remote controller	17317000A03243
25	Seal	12600701000039
26	Extend Water Pipe	12100509000061
27	Filter net of cold catalyst	12100204000685
	wifi connection port	17222000A01170

## Almison Doméstico - Despiece

**Modelo Unidad:** ALM24V1A17UE  
**Tipo Unidad:** Unidad Exterior  
**Modelo Conjunto:** ALM24  
**Alimentación:** 220\_240V\_1Ph,FREQUENCY\_50HZ



No.	Nombre del Recambio (En)	Código
1	Terminal board	12222000004782
2	Water Collecting Cover	12122000007150
3	4-way valve assembly	15422000004833
3.1	Low Pressure Valve	15500204000025
3.2	4-way Valve	15500216000026
4	Air outlet grille	12122000011758
5	Electronic control box assembly	17222000009515
5.1	Supporting Plate	12122000014683
5.2	Cover of electronic control box	12222000004827
5.3	Outdoor main control board assembly	17122000018903
5.4	Electric Installing Box Subassembly	12122000006856
6	Big Handle.	12100701000015
7	Supporter assembly of fan motor	12222000004884
8	Brushless DC Motor	11002015000397
9	Left side plate assembly	12222000004794
11	Inverter Controlled Rotary Compressor	11103020000179
12	Top cover assembly	12222000004795
13	Brass Nut	15500406000003
13	Brass Nut	15500406000010
14	Partition board assembly	12222000004784
15	Condenser Assembly	15822000004516
16	Room Temperature Sensor	11201007000039
17	Chassis assembly	12222000004823
17.1	Chassis	12222000004786
17.2	Footing	12222000004788
18	Wire holder	17400401000016
19	Liquid valve assembly	15422000004974
19.1	Liquid valve	15500208000023
19.2	Installing plate for valves	12222000002571
20	Front panel	12222000004822
21	Right side plate	12222000004785
23	Temperature Sensor	11201007000069
24	Axial fan	12100105000181
25	Reactor	17400306000058
26	Discharge temperature sensor assembly	11201007000005