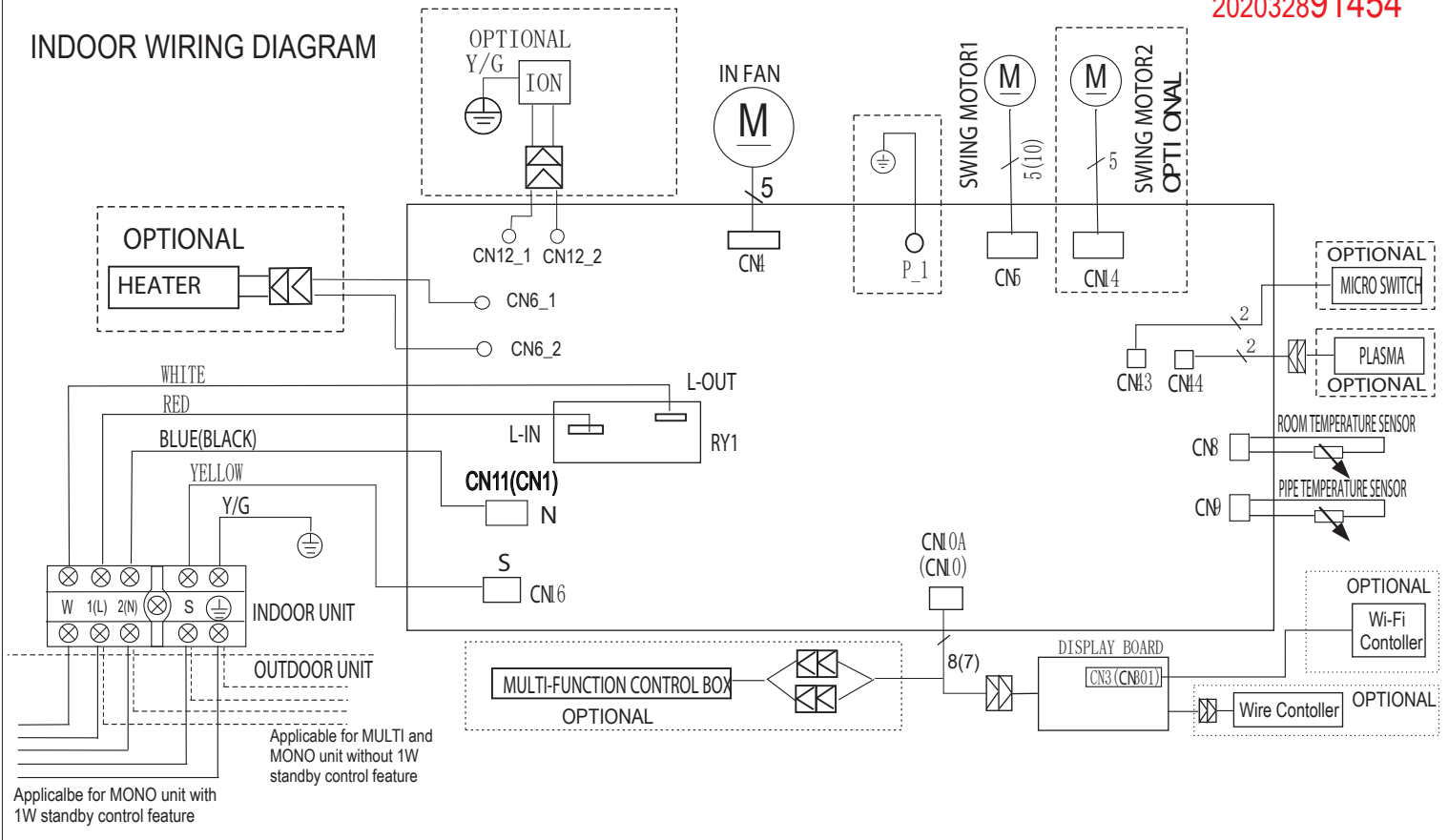
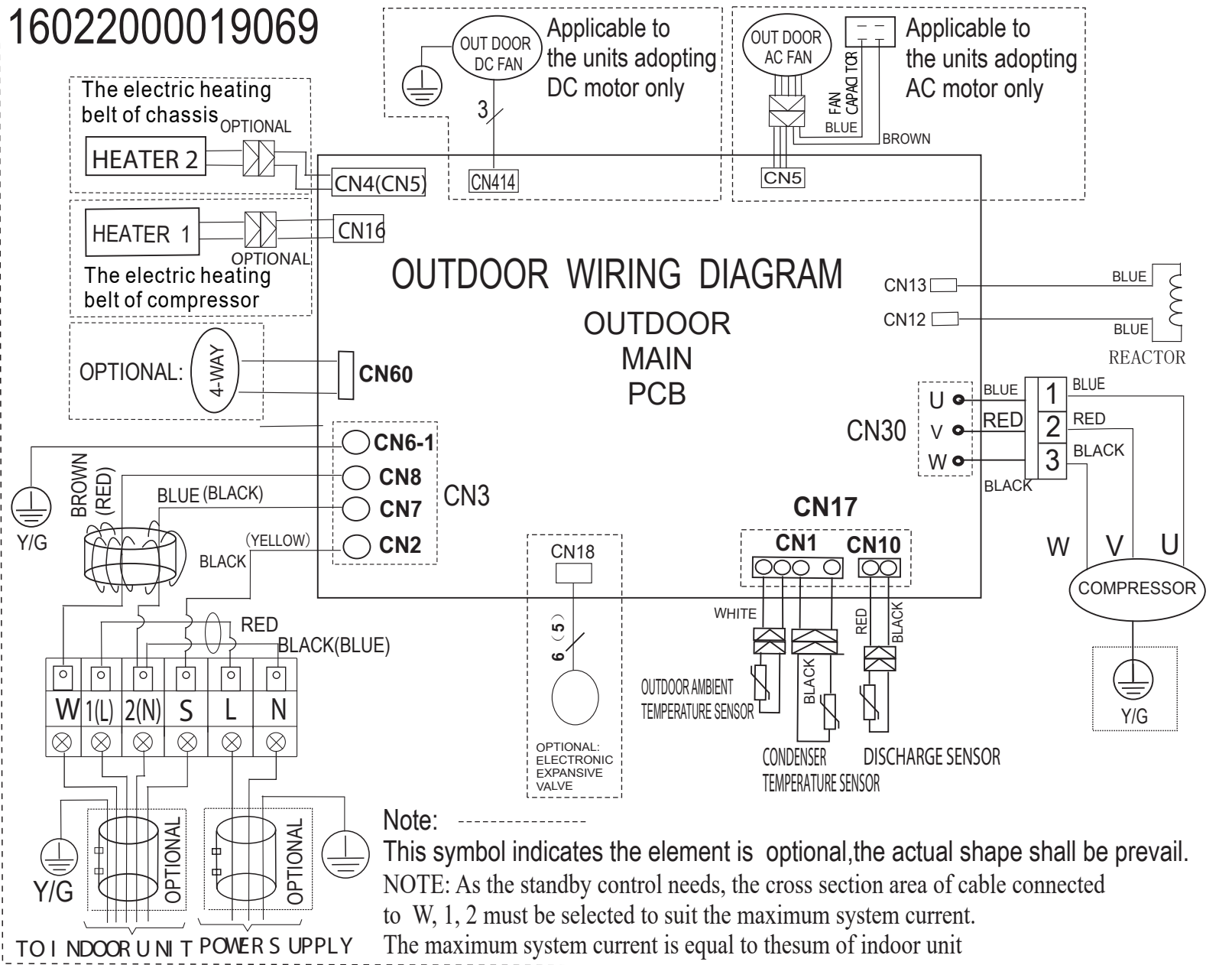


202032891454

# INDOOR WIRING DIAGRAM



16022000019069



**Note:** This symbol indicates the element is optional, the actual shape shall prevail.  
**NOTE:** As the standby control needs, the cross section area of cable connected to W, 1, 2 must be selected to suit the maximum system current.  
 The maximum system current is equal to the sum of indoor unit