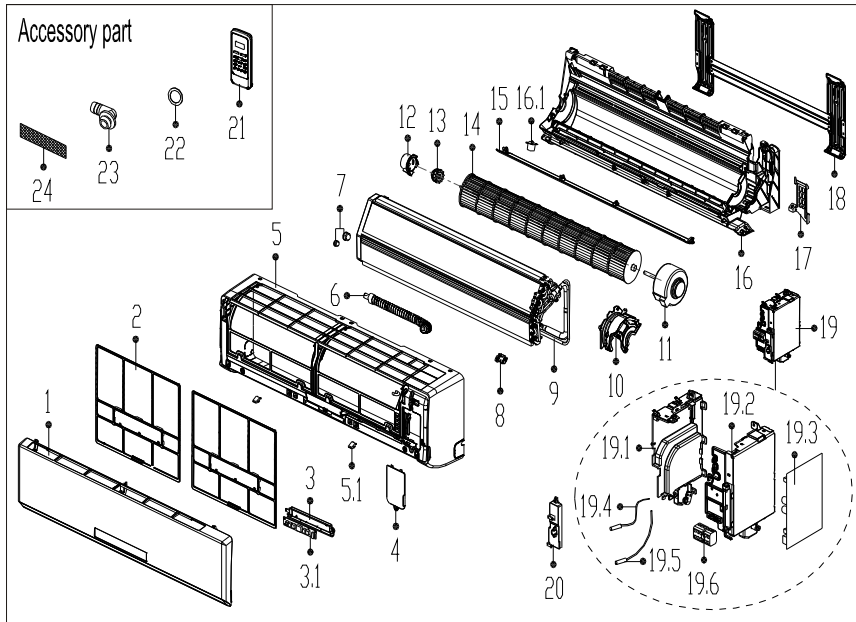


Almison Doméstico - Despiece

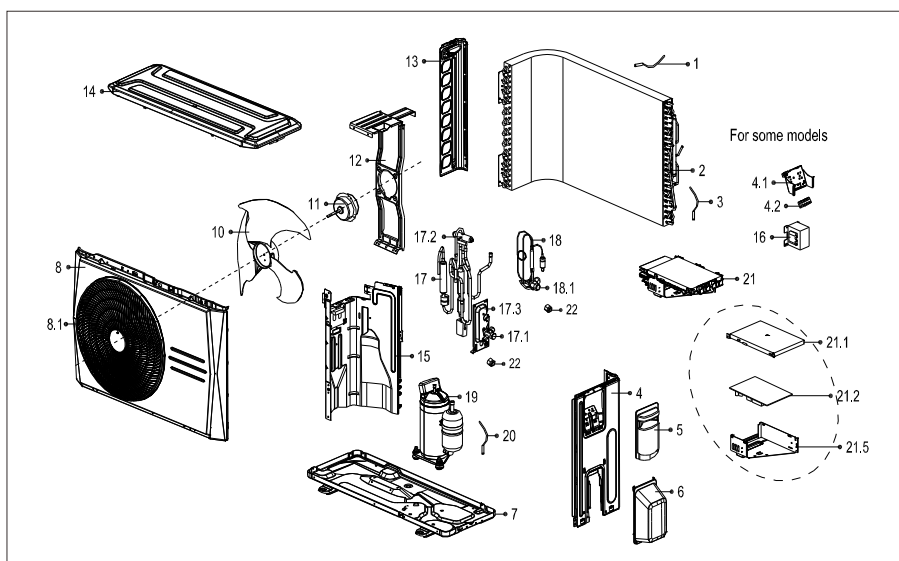
Modelo Unidad: ALM18V1A17UI
Tipo Unidad: Unidad Interior
Modelo Conjunto: ALM18
Alimentación: 220_240V_1Ph,FREQUENCY_50HZ



No.	Nombre del Recambio (En)	Código
1	Panel assembly	12122000A00327
2	Filter	12100204000667
3	Structure Subassembly of Display Box	17222000A07406
3.1	VLED Display Module	17122000A08229
4	E-Parts Cover Plate	12122000006694
5	Panel frame assembly	12122000001747
5.1	Screw Cap	12122000006272
6	Drain Hose	12100501000021
7	Brass Nut	15500406000012
7	Brass Nut	15500406000016
8	Temperature Sensing Element Fixing clip	12100303000008
9	Evaporator assembly	15822000003736
10	Motor Bearing Cover	12122000008147
11	Brushless DC Motor	11002015000139
12	Bearing sleeve	12122000000350
13	Bearing pedestal	12622000000006
14	Cross-flow window rotor	12100102000072
15	Wind Guide	12122000006245
16	Chassis Assembly	12122000004388
16.1	stepper motor	11002010000143
17	Pipe Pressing Board	12122000000445
18	Installation Plate	12222000000011
19	Electronic control box assembly	17222000009512
19.1	Electrical Control Box	12122000004586
19.2	Electrical Control Box	12122000004565
19.3	Indoor main control board assembly	17122000018897
19.4	Room Temperature Sensor	11201007000088
19.5	Temperature Sensor	11201007000001
19.6	Wire holder	17400401000094
20	Electrical Control Box Cover	12122000004994
21	Remote controller	17317000A03243
22	Seal	12600701000039
23	Extend Water Pipe	12100509000061
24	Filter net of cold catalyst	121002040000685
	wifi port	17222000A01170

Almison Doméstico - Despiece

Modelo Unidad: ALM18V1A17UE
Tipo Unidad: Unidad Exterior
Modelo Conjunto: ALM18
Alimentación: 220_240V_1Ph,FREQUENCY_50HZ



No.	Nombre del Recambio (En)	Código
1	Room Temperature Sensor	11201007000039
2	Condenser Assembly	15822000003682
3	Temperature Sensor	11201007000069
4	Parts fn Right Side Plate	12222000001428
4.1	Terminal Installing Plate	12222000002259
4.2	Wire holder	17400401000016
5	Big Handle.	12100701000015
6	Water Collecting Cover	12122000007150
7	Chassis Assembly	12222000000711
8	Front panel	12222000004382
8.1	Air outlet grille	12122000010660
10	Axial fan	12100105000051
11	Brushless DC Motor	11002015000041
12	Fan Motor Holder Subassembly	12222000001462
13	Components of left supporting panel	12222000001379
14	Top cover assembly	12222000002451
15	Separator Assembly	12222000001146
16	Reactor	17400306000053
17	Gas Valve Assembly	15422000004716
17.1	Low Pressure Valve	15500204000058
17.2	4-way Valve	15500216000026
17.3	Installing plate for valves	12222000002571
18	High-Voltage valve Assembly	15422000004893
18.1	High-Voltage valve	15500208000028
19	Inverter Controlled Rotary Compressor	11103020000006
20	Discharge temperature sensor assembly	11201007000005
21	Electronic control box assembly	17222000009513
21.1	Electric Installing Box Subassembly	12122000006856
21.2	Outdoor power board assembly	17122000018899
21.5	Electric Installing Box Subassembly	12222000001325
22	Brass Nut	15500406000016
22	Brass Nut	15500406000012