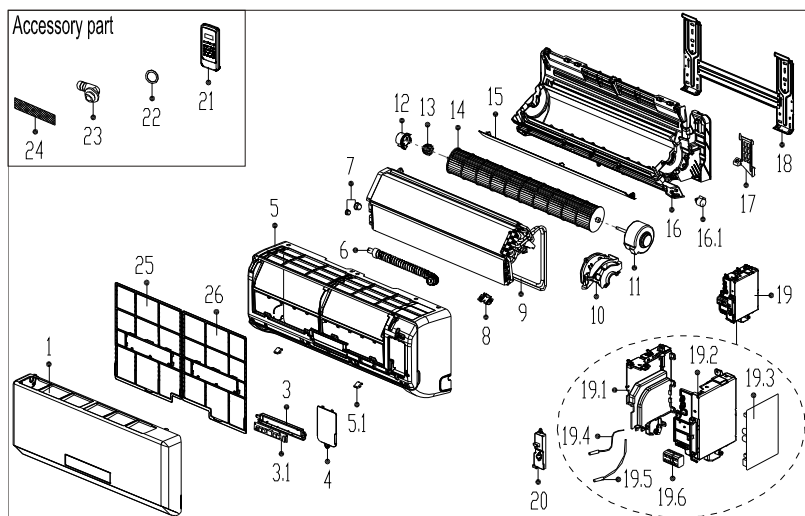


Almison Doméstico- Despiece

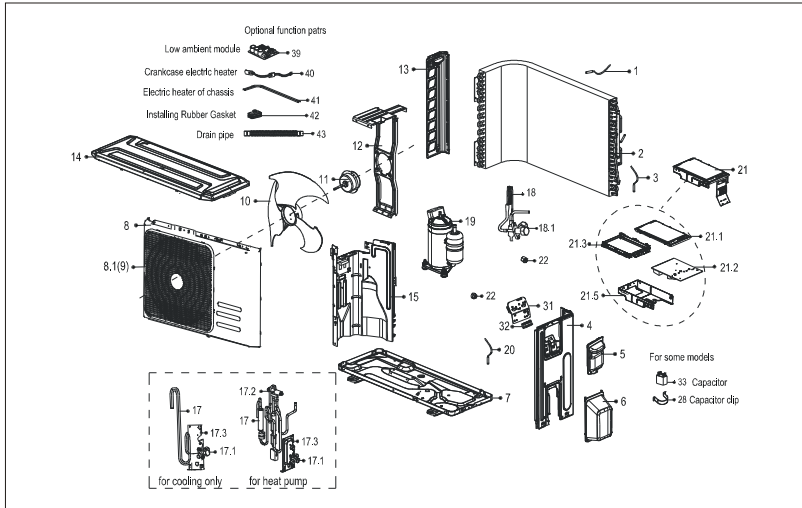
Modelo Unidad: **ALM12V1A17UI**
 Tipo Unidad: Unidad Interior
 Modelo Conjunto: ALM12
 Alimentación: 220_240V_1Ph,FREQUENCY_50HZ



No.	Nombre del Recambio (En)	Código
1	Panel assembly	12122000A00344
3	Structure Subassembly of Display Box	17222000A07406
3.1	VLED Display Module	17122000A08229
4	Electrical cover	12122000006694
5	frame assembly	12122000001749
5.1	Screw cover	12122000006272
6	Drain Hose	12100501000021
7	Copper nut	15500406000016
7	Copper nut	15500406000010
8	Temperature Sensing Element Fixing clip	12100303000008
9	Evaporator assembly	15822000003678
10	Motor cover	12122000005431
11	Single-phase Asynchronous Motor	11002012003727
12	beating base jacket	12122000000350
13	Beating base	12622000000006
14	Cross-flow Window Rotor.	12100102000022
15	Wind Guide Assembly	12122000005123
16	Chassis Assembly	12122000004342
16.1	stepper motor	11002010000143
17	Pipe Pressing Board	12122000000445
18	Installation board	12222000000012
19	Electronic control box assembly	17222000009509
19.1	E-Part box	12122000004586
19.2	E-Part box	12122000004565
19.3	Indoor main control board assembly	17122000018890
19.4	Room Temperature Sensor	11201007000221
19.5	Temperature Sensor	11201007000322
19.6	Wire joint, 5p	17400401000094
20	E-Part box cover	12122000004994
21	Remote controller	17317000A03243
22	Seal ring	12600701000039
23	Drain hose	121005090000061
24	Formaldehyde-killer	12100204000685
25	Air filter	12100204000633
26	Right side of the filter	12100204000634
	wifi port	17222000A01170

Almison Doméstico - Despiece

Modelo Unidad: **ALM12V1A17UE**
 Tipo Unidad: **ALM12**
 Modelo Conjunto: **Unidad Exterior**
 Alimentación: **220_240V_1Ph,FREQUENCY_50HZ**



No.	Nombre del Recambio (En)	Código
1	Room Temperature Sensor	11201007000039
2	Condenser Assembly	15822000003296
3	Temperature Sensor	11201007000136
4	Parts fn Right Side Plate	12222000003597
5	Big Handle.	12100701000015
6	Water Collecting Cover	12122000007150
7	Chassis assembly	12222000004427
8	Front panel	12222000004424
8.1	Air outlet grille	12122000010660
10	Axial fan	12100105000057
11	Brushless DC Motor	11002015000041
12	Supporter assembly of fan motor	12222000004187
13	Left Side Floor	12222000001232
14	Top cover assembly	12222000003598
15	Partition board assembly	12222000004425
17	4-Ways valve assembly	15422000004714
17.1	Low Pressure Valve	15500204000021
17.2	4-way Valve	15500216000028
17.3	Installing plate for valves	12222000002571
18	Liquid valve assembly	15422000004973
18.1	High-Voltage valve	15500208000028
19	Inverter Controlled Rotary Compressor	11103020000196
20	Discharge temperature sensor assembly	11201007000005
21	Electronic control box assembly	17222000009508
21.1	Cover of electronic control box	12222000005563
21.2	Outdoor power board assembly	17122000018888
21.3	Installation board for E-parts	12122000012798
21.5	Electronic installing box	12222000005562
22	Copper nut	15500406000016
22	Copper nut	15500406000010
31	Terminal Installing Plate	12222000002259
32	Wire holder	17400401000016