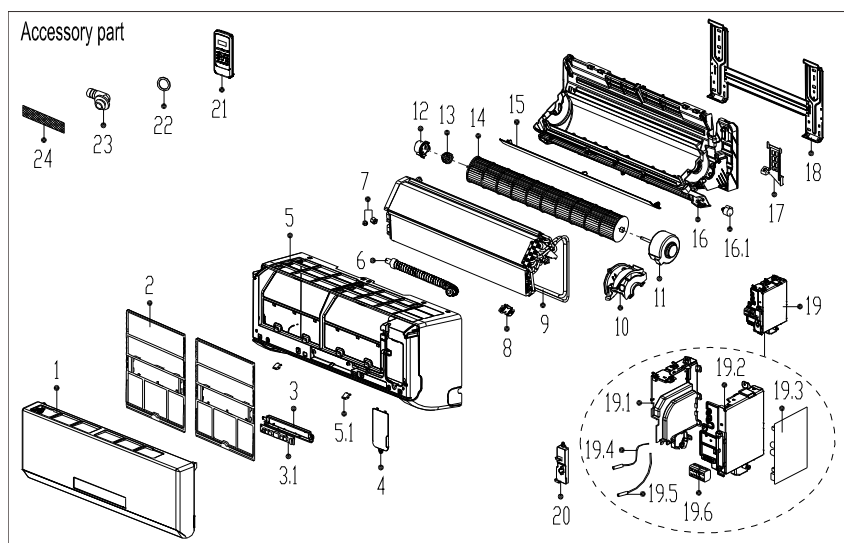


Almison Doméstico - Despiece

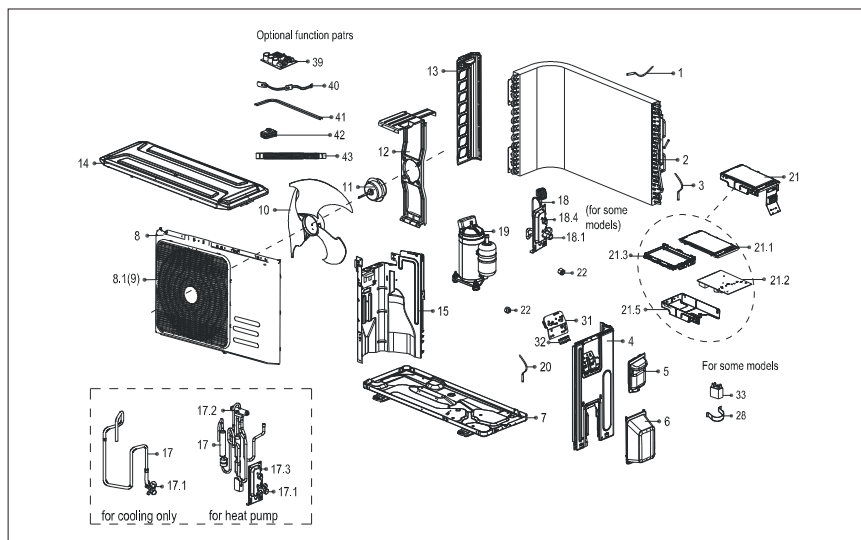
Modelo Unidad: ALM09V1A17UI
Tipo Unidad: Unidad Interior
Modelo Conjunto: ALM09
Alimentación: 220_240V_1Ph,FREQUENCY_50HZ



No.	Nombre del Recambio (En)	Código
1	Panel assembly	12122000A01042
2	Filter	12100204000673
3	Structure Subassembly of Display Box	17222000A07406
3.1	VLED Display Module	17122000A08229
4	E-Parts Cover Plate	12122000006694
5	frame assembly	12122000001883
5.1	Screw Cap	12122000006272
6	Drain Hose	12100501000021
7	Brass Nut	15500406000016
7	Brass Nut	15500406000010
8	Temperature Sensing Element Fixing clip	12100303000008
9	Evaporator assembly Gas valve assembly	15822000000363
10	Nombre del Recambio+D28:D43	12122000005431
11	Single-phase Asynchronous Motor	11002012003727
12	Bearing sleeve	12122000000350
13	Bearing pedestal	12622000000006
14	Cross-flow window rotor	12100102000036
15	Wind Guide Assembly	12122000005105
16	Chassis Assembly	12122000004172
16.1	stepper motor	11002010000143
17	Pipe Pressing Board	12122000000445
18	Installation Plate	12222000000024
19	Electronic control box assembly	17222000009510
19.1	Electrical Control Box	12122000007835
19.2	Electrical Control Box	12122000007840
19.3	Indoor main control board assembly	17122000018892
19.4	Room Temperature Sensor	11201007000221
19.5	Temperature Sensor	11201007000001
19.6	Wire holder	17400401000094
20	Electrical Control Box Cover	12122000004994
21	Remote controller	17317000A03243
22	Seal	12600701000039
23	Extend Water Pipe	12100509000061
24	Filter net of cold catalyst	12100204000685
	wifi connection port	17222000A01170

Almison Doméstico - Despiece

Modelo Unidad: ALM09V1A17UE
Tipo Unidad: Unidad Exterior
Modelo Conjunto: ALM09
Alimentación: 220_240V_1Ph,FREQUENCY_50HZ



No.	Nombre del Recambio (En)	Código
1	Room Temperature Sensor	11201007000039
2	Condenser Assembly	15822000003296
3	Temperature Sensor	112010070000136
4	Parts fn Right Side Plate	12222000003597
5	Big Handle.	12100701000015
6	Water Collecting Cover	12122000007150
7	Chassis assembly	12222000004427
8	Front panel	12222000004424
8.1	Air outlet grille	12122000010660
10	Axial fan	12100105000057
11	Brushless DC Motor	11002015000041
12	Supporter assembly of fan motor	12222000004187
13	Left Side Floor	12222000001232
14	Top cover assembly	12222000003598
15	Partition board assembly	12222000004425
17	4-Ways valve assembly	15422000004714
17.1	Low Pressure Valve	15500204000021
17.2	4-way Valve	15500216000028
17.3	Installing plate for valves	12222000002571
18	Liquid valve assembly	15422000004973
18.1	High-Voltage valve	15500208000028
19	Inverter Controlled Rotary Compressor	11103020000196
20	Discharge temperature sensor assembly	11201007000005
21	Electronic control box assembly	17222000009511
21.1	Cover of electronic control box	12222000005563
21.2	Outdoor power board assembly	17122000018895
21.3	Installation board for E-parts	12122000012798
21.5	Electronic installing box	12222000005562
22	Brass Nut	15500406000010
22	Brass Nut	15500406000016
31	Terminal Installing Plate	12222000002259
32	Wire holder	17400401000016